



National High School Rodeo Shooting Sports Rules/Guidelines

Revised February 6, 2023

Introduction

The NHSRA established shooting sports as part of the activities scheduled for National Finals Rodeo(s) in 2005 in partnership with the NRA (National Rifle Association). No longer supported by the NRA, this program continues to thrive and in January 2022 became an event within National High School Rodeo Association that will be offered in all states/provinces where interest is shown.

Section 1: The Essentials

Section 2: Rifle Shooting Sports Program

Section 3: Shotgun Shooting Sports Program

Section 4: Range Operation

Section 5: Light Rifle Rules for NHSRA

Section 6: Trap Rules for NHSRA

Section 7: Shooting Sports Dress Code (for National Finals Events)

Appendix

- 1. Other Awards**
- 2. Training Courses Available**
- 3. Grants**
- 4. Colleges with Shooting Sports Programs in the US**

Section 1: Qualified Supervision- Roles and Responsibilities

The National High School Rodeo Association is comprised of 44 states, 5 Canadian Provinces, Australia, Mexico and New Zealand. Each state, province and country have a National Director as well as an elected or appointed board.

Each state, province or country interested in forming shooting sports teams should appoint or elect a Shooting Sports Coordinator. Contact information for this person must be reported to the National Shooting Sports Coordinator in the Denver, Colorado office. Information regarding changes, updates and rules are communicated from the National Office to the individual Shooting Sports Coordinators for each state, province or country as well as to National Directors and State/Provincial Secretaries.

State/Provincial/Country Shooting Sports Coordinator

- Must be 21 years of age or older
- NRA certified instructor for one or both disciplines offered in the NHSRA (*recommended*) or have equivalent training/experience in the disciplines.
- Current NRA Range Safety Officer certification (*recommended*)

NRA Range Safety Officer (Recommended)

- Twenty-one years of age or older and holds current NRA range safety officer credentials
- In charge of the firing line at any time it is in operation
- May not leave the firing line any time it is in operation
- May or may not be the same person as the State/Provincial/Country Shooting Sports Coordinator

Section 2: Rifle Shooting Sports Program

Purpose: To introduce NHSRA members into shooting sports programs

Rifles: Junior High and High School Division- Any .22 caliber rimfire .22 short, .22 long, or .22 long rifle with not less than a 2-pound trigger pull, and which weighs not more than 8 ½ pounds when equipped with sights. **Telescopic sights must be set at 10 power or less.** No portion of the rifle or any attachment to the rifle shall extend more than 3 inches beyond the rear of the shooter's shoulder.

Ammunition: Rimfire cartridges commercially catalogued as the “.22 Short, “.22 Long, or “.22 Long Rifle which have an over-all length not more than 1.1 inches and loaded with a lead or alloy bullet of not larger than .23-inch diameter. *Hollow point, tracer, incendiary or explosive bullets are specifically excluded from ammunition authorized for match use.*

Range: A NHSRA approved range (approved by the State/Provincial Shooting Sports Coordinator), public or private range or club for cartridge firing rifles.

Training: *Recommended:* NRA Rifle FIRST Steps (3 hours) or NRA Basics of Rifle Shooting Course (8 hours) taught by an NRA Rifle Instructor or NRA/USA Shooting/CMP certified rifle coach. If contestant has completed Hunter's Safety training, this training would not be necessary. **Please note: This training is RECOMMENDED, not REQUIRED.**

Safety: Eye and ear protection is REQUIRED.

Range Supervision: A NHSRA approved coordinator or certified range safety officer is to directly supervise all live fire on the range.

Ratio: One approved NHSRA coordinator or range safety officer or rifle instructor to eight shooters. The number of range safety officers at the National Finals events is 1/per 5 shooters on the firing line.

Course: Refer to NHSRA Light Rifle Rules.

Events: A rifle shooting event MUST be submitted and approved by the National Office on a Rodeo Activity Form a minimum of 30 days prior to the State/Provincial event.

Section 3: Shotgun Shooting Sports Program

Purpose: To introduce NHSRA members into shooting sports programs

Shotguns: High School Division Only- Youth or adult size 20, 16 or 12-gauge shotguns may be used.

Ammunition: Correct ammunition for the shotgun being fired. *Tracer, armor-piercing and explosive ammo are not allowed.*

Range: A NHSRA approved range (approved by the State/Provincial Shooting Sports Coordinator), public or private range or club.

Training: *Recommended* NRA Shotgun FIRST Steps (3 hours) or NRA Basics of Shotgun Shooting Course (8 hours) taught by an NRA Shotgun Instructor or NRA/USA Shooting/CMP certified shotgun coach. If contestant has completed Hunter's Safety training, they would not be required to take this training. ***Please note: This training is RECOMMENDED, not REQUIRED.***

Safety: Eye and ear protection is REQUIRED.

Range Supervision: A NHSRA approved coordinator or certified range safety officer is to directly supervise all live fire on the range.

Ratio: One approved NHSRA coordinator or range safety officer or shotgun instructor per 5 shooters.

Course: Refer to NHSRA Shotgun Rules.

Events: A shotgun shooting event MUST be submitted and approved by the National Office on a Rodeo Activity Form a minimum of 30 days prior to the State/Provincial event.

SECTION 4 : RANGE OPERATION

General Equipment Common to all Shooting Disciplines:

Eye and Hearing Protection. Each shooter MUST wear hearing and eye protection appropriate for each shooting discipline. **It is recommended that spectators in immediate, designated areas also wear protection.**

Empty-chamber indicator. An added safety measure while storing or transporting firearms (or when the firearm is unattended) is a visual empty-chamber indicator. A simple method is a piece of high-visibility heavy monofilament trimmer line, cut approximately 12 inches longer than the barrel of the firearm. **When inserted in the barrel, approximately 6 inches of the line should be visible at both the muzzle and the breech.** The empty-chamber indicator must be inserted from the breech of the rifle. See: <https://www.brownells.com/gun-cleaning-chemicals/brushes-amp-bore-snakes/bore-brushes/bore-whips-by-swab-its-22-cal-prod73560.aspx>

Ammunition Control. Only the number of rounds of ammunition required to complete the competition should be allowed on the firing line.

First-Aid Kit. It is recommended that a first-aid kit be readily available for the range. It should be well stocked and include items appropriate for potential injuries unique to the specific shooting sports venue. Assistance with preparing these kits is usually provided by local EMT or hospital personnel. Check on this availability in your local community.

Emergency Communications Device. If cell phone coverage at your venue is not available, make sure there is a landline that can be used in case of emergency. Prepare a list in advance of any medical service numbers you may need specific to your exact location.

Safe Gun Handling. Each firearm must be treated as if it were loaded. With that in mind, the following universal rules of safe gun handling **MUST** be followed at all times:

- **Always** keep the firearm pointed in a safe direction
- **Always** keep your finger off the trigger and outside the trigger guard until you are instructed to shoot
- **Always** keep your firearm unloaded until instructed to load/shoot
- **Know** your target and what is beyond it
- **Be familiar with the safe operation of your firearm**
- **Always use the correct ammunition for your firearm**
- **Unattended firearms should not be accessible to unauthorized persons**

SECTION 5: NHSRA RIFLE RULEBOOK

National High School Rodeo Light Rifle Rules

REVISED *February 7, 2023*

NATIONAL HIGH SCHOOL RODEO ASSOCIATION Official Rules for Light Rifle Matches

SAFETY IS YOUR BUSINESS! READ THE RULES

These rules provide for the efficient and orderly operation of a competition. But *that's not all*. Many local range regulations exist for one reason alone SAFETY. Others serve a dual purpose, smooth range operation and SAFETY. It's your responsibility as a competitor or as a competition official to be familiar with the rules and to know the meaning behind those which are safety oriented.

NRA GUN SAFETY RULES (Adopted by the NHSRA) The fundamental NRA rules for safe gun handling are:

- Always keep the gun pointed in a safe direction.
- Always keep your finger off the trigger until ready to shoot.
- Always keep the gun unloaded until ready to use.

When using or storing a gun, always follow these NRA (Adopted by the NHSRA) rules:

- Be sure the gun is safe to operate.
- Know how to safely use the gun.
- Use only the correct ammunition for your gun.
- Know your target and what is beyond.
- Wear eye and ear protection as appropriate.

- Never use alcohol or drugs before or while shooting.
- Store guns so they are not accessible to unauthorized persons.

NHSRA EVENT

1.0 NHSRA Event - NHSRA Event is a competition which is authorized by the National High School Rodeo Association. The program, range facilities and officials must comply with standards established by NHSRA and must be approved by the National Office by submitting a Rodeo Activity form 30 days prior to the event via the State/Provincial Secretary.

1.1 NHSRA Sanctioned Events - A Sanctioned Event is an event that has been approved by the National Office. Such matches must be conducted by a NHSRA affiliated organization.

1.2 Types of NHSRA Matches

(a) Match - A complete event as indicated in the schedule for the awarding of certain specific prizes. A match may consist of one or several stages.

(b) Stage - A portion of a match which consists of one or more strings fired in one position, distance, time allowance, or target.

(c) Unsquadded Individual Match- A match in which the competitor is not assigned a definite relay or target. The competitor reports to the official registration area within the time limits specified on the official posting board and is then assigned to a target and a relay in which to fire. For the National Finals event(s), report times will be listed on the official Draw Posting Board prior to the event.

2. ELIGIBILITY OF COMPETITORS

Eligibility of Competitors – Competitors qualify for the National Finals events at their State/Provincial Finals.

INDIVIDUALS

2.1 Members of the National High School Rodeo Association - Any individual member of the Association or Junior High Division of the Association in good standing.

3. EQUIPMENT AND AMMUNITION

This section defines authorized equipment. Where alternative types of equipment are shown, the least restrictive conditions apply unless the tournament programs set forth limitations.

3.1 Light Rifle - Any .22 caliber rimfire .22 short, .22 long, or .22 long rifle with not less than a 2-pound trigger pull, and which weighs no more than 8 ½ pounds when equipped with sights. No portion of the rifle or any attachment to the rifle shall extend more than 3 inches beyond the rear of the shooter's shoulder. The same rifle must be used throughout all stages of any one match (except aggregate) except in the case of a malfunction or disabled rifle when the competitor may change rifles with permission of the Chief Range Officer.

3.2 Trigger Guard - A rifle must be equipped with an effective trigger guard. Lack of a trigger guard constitutes an unsafe rifle.

3.3 Sights-

(a) Metallic

(1) **Non-corrective:** Any sighting system, constructed of metal or equivalent, which provides a method of aiming or aligning 2 separate but visible sights, or reference points mounted on the rifle, including tube sights and non-magnifying color filters.

(2) **Corrective:** Same as (1), except that a lens or system of lenses, not containing an aiming reference or reticle at the focal plane of any such lens or system of lenses, may be included in such system.

(b) Telescopic - Any sighting system which includes a lens or system of lenses and an aiming reference or reticle at the focal plane of a lens or system of lenses. **Illuminated reticles are allowed.** Telescopic sights must be set at 10 power or less. **A scope greater than 10 power will be taped and cannot be adjusted after taping. If a scope needs to be adjusted during the event an RSO must be present, and the adjustment can only happen during the prep period prior to each shooting stage.**

(c) Any - Any sight without restriction as to material or construction.

(d) Prohibited - Any sighting device programmed to activate the firing mechanism is prohibited.

(e) Any sight/scope used cannot be set to anything above 10x and when attached to the rifle, and the rifle MUST meet rifle weight requirement.

3.4 Shooting Kits - The shooting kit may not be placed forward of the shooter's forward shoulder on the firing line, except that in the standing position a shooting kit, table, or stand may be used as a rifle rest between shots. The shooting kit, table, or stand may not be of such size and construction as to interfere with shooters on adjacent firing points or to constitute a wind break. **Shooting stand must be set no taller than shoulder height of contestant.**

3.5 Personal Wind Indicators - Are not permitted and will be provided by the event coordinators.

3.6 Shooting Mats or Ground Cloth – Shooting Mats or ground cloth may be used providing it is not constructed or used in a manner to provide artificial rest or support.

3.7 Gloves- Gloves may be worn which do not form an artificial support.

3.8 Shooting Coats - **Are not permitted. OUTERWEAR IS NOT ALLOWED AT THE NATIONAL FINALS EVENTS.** In addition, outer clothing, for example but not limited to vests, sweatshirts, and jackets, worn that may be used to provide support or advantage are not allowed unless weather conditions dictate. It will be up to the sole discretion of the Arena Director and CRSO to determine this need.

3.9 Shooting Trousers - Are not permitted.

3.10 Padding - Shoulder pads, sling pads and elbow pads may be worn while shooting, provided they are constructed so as not to provide artificial support. **Compression elbow pads that extend more than 4" either direction from the elbow are prohibited during the match.**

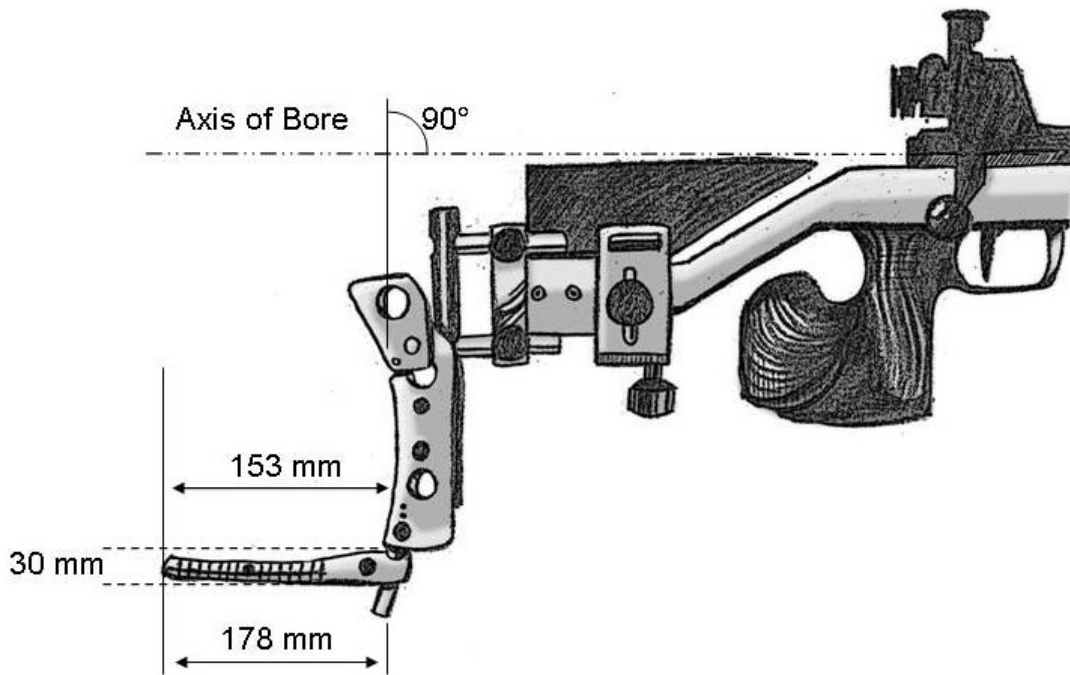
3.11 Slings –Unless otherwise specified in the conditions of the match by the Arena Director, the rifle sling may be used in the prone and kneeling positions only. There are two types of slings are allowed (unless otherwise specified by the Arena Director).

A. Single point sling of the arm cuff type consisting of a quick detach at the forearm or the hand stop. Sling cuff will be attached to the upper arm with sling running on the outside or inside of the forearm. At no time will the sling be between the palm of the hand and the stock / body of rifle.

B. Two-point sling, consisting of two attachment points one at the forearm or hand stop, the second point will be at the buttstock of the rifle on the bottom of the stock. The sling will be positioned from the rear attachment point on the buttstock across the **front and/or chest** of contestant's body (not across the back, shoulders or neck), underneath and around the outside of the upper arm, sling will then proceed forward on the outside or inside of forearm. At no time will the sling be between the palm of the hand and the stock / body of the rifle. At no time will the arm be placed between the separate straps of the sling to act as an arm cuff. **A separate cuff may not be attached to a two-point sling.**

3.12 Kneeling Roll - A cylindrical cushion for shooting in the kneeling position; maximum dimensions will be 9.84 inches long (25 cm) and 7.08 inches in diameter (18 cm) and made of soft and flexible material.

3.13 Butt plates and hook - A butt hook projecting more than 153 mm (6.02 inches) past the rear of a line, which is perpendicular to a line drawn through the axis of the bore of the rifle, and which is tangent to the deepest part of the butt plate depression that normally rests against the shoulder. It must have a total outside length around any curve or bend of not more than 178 mm (7.01 inches). **The hook must remain in line with the axis of the bore (no rotation around the body at any time or in any position). No part of the hook can touch the ground during competition. Shoulder hooks and top hooks are not allowed.**



3.14 Release Triggers - Triggers which function on release are prohibited.

3.15 Ammunition -Rimfire cartridges commercially catalogued as the “.22 Short, “.22 Long, or “.22 Long Rifle which have an over-all length not more than 1.1 inches and loaded with a lead or alloy bullet of not larger than .23-inch diameter. *Hollow point, tracer, incendiary or explosive bullets are specifically excluded from ammunition authorized for match use.*

3.16 General - All devices or equipment which may facilitate shooting, and which are not mentioned in these Rules, and which are contrary to the spirit of these Rules and Regulations, are forbidden. The Arena Director or CRSO shall have the right to examine a shooter’s equipment or apparel. The responsibility shall be upon the competitor to submit questionable equipment and apparel for official inspection and approval in sufficient time prior to the beginning of a match so that it will not inconvenience either the competitor or the official.

3.17 Eye Protection- All competitors and other personnel in the immediate vicinity of the range complex must wear eye protection devices. **Must show the ANSI Z87.1 safety rating for eye protection devices.**

3.18 Ear Protection - All competitors and other personnel in the immediate vicinity of the range complex must wear hearing protection devices. Only sound reducing devices may be worn by competitors forward of the ready line.

3.19 Empty Chamber Indicator (ECI) – An ECI is required in all rifle competitions to indicate that the chamber is empty. The ECI must be continuous from chamber to muzzle visible at both ends. **The empty-chamber indicator must be inserted from the breech of the rifle.** See: <https://www.brownells.com/gun-cleaning-chemicals/brushes-amp-bore-snakes/bore-brushes/bore-whips-by-swab-its-22-cal-prod73560.aspx>

3.2 Audible Timing Devices - Audible timing devices are allowed.

3.21 Electronic Devices-Radios, tape recorders, or any type of sound producing, or communications systems including cell phones/smart watches are prohibited forward of the ready line except hearing aids, medical devices and those devices necessary for range control.

4. TARGETS

4.1 Official Targets- NRA Official Targets will be used. 50 Yard A23/5. 3 shots may be fired on each record bulls eye.

5. POSITIONS

Positions - The positions for use in a match shall be stated in the program under conditions of the match and shall be in accord with the definitions of positions prescribed in this section.

No portion of the shooter's body or equipment may rest upon or touch the ground in advance of the firing line.

5.1 The Ground - All references to "the ground" in the following position Rules are to be construed as applying to the surface of the firing point, floor, such as shooting mats, or platforms as are customarily used on shooting ranges.

5.2 Artificial Support - Any supporting surface except the ground not specifically authorized for use in the Rules for the position prescribed. Digging or use of elbow or heel holes at the firing points or the use of depressions which form artificial support for the elbows, arms, or legs is prohibited. Use of artificial support including back braces or use of magazine or vertical handle on the firearm are prohibited except as individually authorized by NHSRA for a physically handicapped shooter.

5.3 Position of Rifle Butt-In all positions, except standing (Rule 5.6), the butt of the rifle must be held against the front of the shoulder on the outside of the shirt and must not touch the ground.

5.4 Prone - Body extended on the ground, head toward the target. The rifle will be supported by both hands and one shoulder only. No portion of the arms below the elbows shall rest upon the ground or any artificial support, nor may any portion of the rifle or body rest against any artificial support. The forearm supporting the rifle shall form an angle with the line from the point of elbow contact to the target of not less than 30°. (Measured through the axis of the forearm.)

5.5 Kneeling - Buttocks clear of the ground but may rest on one foot. The rifle will be supported by both hands and one shoulder only. The elbow of the arm supporting the rifle rests on the knee or leg. The wrist of the supporting hand must be free of all support. The elbow of the trigger arm will be free from all support. One knee must be touching the ground or shooting mat. The shooter may be on all, partially on, or all off the shooting mat. A roll as described in Rule 3.12 may be placed under the instep provided the foot is placed toe down at an angle not greater than 45 degrees from the vertical. Only the trousers and underclothing may be worn between the shooter's buttocks and heel. No other article may not be placed between these two points. If the kneeling roll is not used, the foot may be positioned at any angle, to include placing the side of the foot and the lower leg in contact with the ground.

Contact area/placement for elbow to knee

- a) Contact area of knee - 4 inches from center of knee (point of knee when bent in competition position) in either direction.
- b) Contact area of elbow - 4 inches from center of elbow (point of elbow when bent in competition position) in either direction.
- c) No portion of the arm beyond this 4" may be supported by the leg.

5.6 Standing - The shooter shall stand free with both feet on the ground or at his/her mat without any other support. The rifle shall be held with both hands and the shoulder (upper right chest) or the upper arm near the shoulder, the cheek and the part of the chest next to the right shoulder. However, the rifle must not be supported by the clothing or chest beyond the area of the right shoulder and right chest. The left upper arm and elbow may be supported on the chest or on the hip. The use of the sling is prohibited for all rifles in this position. (Left-handed shooters reverse these descriptions)

5.7 Illegal - Anyone found using an illegal position shall be warned once and given an opportunity to correct his/her position. If the same person continues to use an illegal position or reverts to it, that person shall be penalized according to the provision of Rule 9.20.

6. RANGE STANDARDS

6.1 Firing Line - The firing line is immediately in front of the several firing points. All ranges are measured from this firing line to the face of the targets when targets are hung in their proper position in front of the backstop.

6.2 Firing Point - That part of the range provided for the competitor immediately in the rear of the firing line from which firing takes place. Each firing point is numbered to correspond with the target frames. Each firing point should have a maximum width of five feet and a minimum of 3'9" (at the discretion of the Arena Director).

6.4 Distance

- (a) Rifle range is 50 yards.

6.5 Illumination-Artificial illumination of ranges is authorized.

6.6 Target Numbers - Target frames will be numbered on alternating background of contrasting color. The number will be large enough to be identified under ordinary conditions with normal vision. The numbers should be at least nine inches high and must correspond with firing point numbers.

7. COURSE OF FIRE

7.1 Course of Fire - Targets will be changed after each 12 shots. The number of shots on record bulls at each position are 50 yards, 3 shots for record.

7.11- A total of 5 sighter shots may be used in the Prone Position ONLY. Those rounds are not included in the number of shots per round and those 5 rounds would be added to the total number of ammunitions allowed at the line.

7.2 NHSRA 3-Position- 1st Round

<i>Distance</i>	<i>Target</i>	<i>No. of Shots per Match for score</i>	<i>per Bull</i>
50 Yards	A23/5	12 in each position Prone, Standing and Kneeling	3

7.3 NHSRA 3-Position- Short Round

**The top 20 Shooters from the 1st round will compete in the Short Round the following day. All shooters should compete at the same time (with the same conditions). Placing in the competition would be determined on the aggregate scores from the 1st Round and the Short Round.
SEE 7.11 FOR TOTAL NUMER OF SHOTS.**

<i>Distance</i>	<i>Target</i>	<i>No. of Shots per Match for Score</i>	<i>per Bull</i>
50 Yards	A23/5	12 in each position Prone, Standing and Kneeling	3

8. TIME LIMITS

8.1 Computing Time - Time is not checked on each shot. The time allowance is computed for a complete stage (including sighting shots when specified) on the basis of the specified number of shots for score multiplied by the allowances per shot. The Chief Range Safety Officer may terminate any relay before completion of the full time allowed, if all competitors in that relay have completed firing. Time allowed, but not used, does not carry over to another string or stage.

8.2 Time Allowance:

One minute per record shot for score prone and kneeling. 1 ½ minutes per shot standing.

The competitor will be allowed a maximum of an additional 5 minutes for a target change.

8.3 Passage of Time- Range Officers will not voluntarily warn competitors of the passage of time.

Competitors may inquire of Range Officers as to the time remaining before expiration of the time limit. The request for time and the response shall be given in a tone which will not disturb other competitors.

9. COMPETITION REGULATIONS

9.1 Changing Rifles - No competitor will exchange his/her rifle or the stock of his/her rifle during the firing of any single or multiple stage match unless it has become disabled and has been so designated by the Chief Range Safety Officer. For the purpose of this Rule, the firing of a match is considered to have started when the competitor has fired his/her first record shot. Claim that a rifle is disabled must be made immediately. All shots fired up to the time that the claim is made will stand as part of the official score. *Changing butt plate assemblies does not constitute changing rifles.*

9.2 Sighting Shots – Up to 5 Sighting shots are permitted ONLY in the prone position of the match. The sighting shots are optional, will not be scored or used when determining the time allotted in the prone position. **(Time for the prone stage is inclusive of these shots; no additional time is allowed)**. There is no stoppage between sighting shots and shots for score in the prone position. Unused sighting shots are to be collected at the end of the prone position. Sighting shots will only be fired upon the command “COMMENCE FIRING”.

9.2.1 Misplaced Sighting Shots

When the first sighting shot hits below an imaginary or transcribed line midway between the sighter and record bullseyes (not touching the line with aid of scoring gauge), the competitor will inform the Range Officer of the location of such shot before firing another shot on the target card: the Range Officer will indicate to the Arena Director or Chief Range Safety Officer the value and location of the bullet hole. No such claim will be allowed after the competitor has fired more than one shot on the target card. After the first sighting shot any additional shot below an imaginary or transcribed line midway between the sighter and record bullseye (not touching the line with aid of scoring gauge), will be considered a record shot.

9.3 Defective Cartridge - A defective cartridge is one:

- (a) which has such evident structural defect as to cause misfire or cause a rifle to fail to function
- (b) which does not fire
- (c) from which the bullet has not left the barrel. (No claim for a defective cartridge shall be allowed if bullet has left the barrel except in the incident of a ruptured case. The Range Officer will indicate to the Arena Director or Chief Range Safety Officer the value and location of the bullet hole.) (For procedure in case of a defective cartridge see Rule 10.9. For refiring privileges see Rule 9.14.)

9.5 Disabled Rifle - Any rifle which cannot be properly aimed or safely fired may be declared disabled. Sights improperly adjusted do not constitute a disabled rifle. A rifle once declared disabled by the Range Officer shall not be used again for competition firing until the defect has been corrected and the rifle has been ruled as safe by the Chief Range Officer. (For procedure in case of a disabled rifle see Rule 10.9. For refiring privileges see Rule 9.14.)

9.6 Malfunction - Failure of the rifle to function properly due to mechanical defects or to defective ammunition. Functional failures, due to improper manual operation are not to be considered as malfunctions. (For procedure in case of a malfunction see Rule 10.9. For refiring privileges see Rule 9.14.)

9.7 Weighing Triggers – All rifles presented for inspection MUST have an ECI inserted as rifles are presented for inspection. If the competitors’ rifle does not include this safety indicator upon presentation for inspection, the competitor will be asked to leave the area to insert one. The ECI must be continuous from chamber to muzzle visible at both ends. Triggers will be weighed with official NRA trigger test weights or by any other calibrated method at the discretion of the Arena Director. Failure of the trigger to meet the trigger pull requirements shall disqualify the competitor in matches previously fired. While the trigger pull is being weighed, the rifle shall be held with barrel perpendicular to the horizontal surface on which test weight is supported. The rod or hook of test weight shall rest on the lowest point of the curve in curved triggers or on a point approximately ½ inch from the lower end of straight triggers. To pass the weight test, a weight of the correct number of pounds shall be lifted by the rifle trigger while in the cocked position and while all safety devices are in firing positions, from the horizontal surface on which it is resting, until the weight hangs free and without releasing the trigger. Failure of the trigger to pass the weight test is the competitor’s responsibility. **During the firearm check in period, the firearm safety officer will attempt to pass the firearm for both weight and trigger pull. They will attempt to qualify the firearm a maximum of three times at this time. If the firearm will not pass both requirements, the contestant will have the opportunity to make adjustments and have the firearm rechecked. If the firearm will not pass after the adjustments are made, the firearm safety officer may disqualify the firearm for the competition.**

9.8 Competitor’s Position - A competitor will take his/her position on the firing line as directed by the Chief Range Safety Officer. No portion of the shooter’s body *or equipment* may rest upon or touch the ground in advance of the firing line.

9.9 Coaching Prohibited in Individual Matches - Coaching is prohibited in all individual matches. If a competitor wishes to speak with his/her coach or leader, he must unload his/her firearm, leave it in a safe condition on the firing line and leave the firing line to confer with coach or leader, being careful not to disturb other competitors. **Competitor must first have permission from the CRSO to confer with coach or leader.**

9.10 Matches Not Complete:

Individual matches not complete-When a match or stage is not completed by all competitors in accordance with the tournament schedule, the match or stage may be rescheduled or cancelled. Any match or stage which has been completed by all competitors will not be re-fired.

9.11 Interference - With the exception of competitors actually firing and such range personnel as may be necessary, the firing points and lines will be kept clear at all times. Competitors will not be permitted to interfere with the handling of targets by range personnel.

9.14 Re-firing

(a) No competitor will fire more than one score for the same award except as provided in the competition rules or in accordance with Rule 9.10.

(b) No competitor will be allowed more than one re-fire because of the defective cartridge, disabled rifle or malfunction.

9.15 Cross Fire and Excessive Hits - No competitor will deliberately fire on the wrong target nor fire more than the required number of shots, including hits on some other competitor's target card.

9.16 Disorderly Conduct - Disorderly conduct or intoxication is strictly prohibited at the range *complex* and anyone guilty of same will be expelled from the range complex.

9.17 Willful Destruction Of Range Equipment - No competitor shall cause any range equipment to become damaged through a deliberate act and anyone guilty of same will be expelled, without a warning, from the range. Expelled competitors will be disqualified from the competition.

9.18 Refusal to Obey - No person will refuse to obey instructions of the Arena Director, Chief Range Safety Officer, Range Officers or of any other officer of the competition, if instructions are given in the proper conduct of his/her office.

9.19 Evasion of Rules - No competitor will evade nor attempt to evade nor be an accessory to the evasion of any of the conditions of a match as prescribed in the in these rules. Refusal of a competitor or Officials to give testimony regarding facts known to him concerning violations or attempted violations of these rules will constitute being an accessory to the violation or attempted violation and may be subject to disciplinary action.

9.20 Penalties/Disqualifications - In cases of infringement and contravention of the regulations or of the instructions of range officers by an individual shooter, team shooter or non-firing team member, the following penalties may be imposed upon the individual competitor by the Arena Director, Chief Range Safety Officer, Range Officer or other competition official certified by NHSRA.:

1. Warning
2. Deduction of points from the score
3. Disqualification

In case of infringement of the regulations:

(a) A warning may be given so that the competitor may have the opportunity to correct the fault. In the case of a serious violation of safety regulations, the Chief Range Safety Officer, Arena Director or other competition official certified by NHSRA has the authority to impose immediate disqualification on the competitor.

(b) If the competitor does not correct the fault before the next shot, 10 points shall be deducted from his score.

(c) For a repeated infringement, the competitor may be disqualified.

(d) A warning to the competitor must be expressed in such terms as will leave no doubt that it is an official warning. A warning to the competitor, whenever it is possible, should be given so as not to disturb him/her while firing a shot, unless the infringement concerns safety, in which case the competitor shall be warned immediately.

(e) If a competitor continues to handle his/her firearm in a dangerous manner, or continues to violate any of the safety regulations, he may be disqualified.

(f) If the Arena Director, Chief Range Safety Officer, Range Officer or other competition official certified by the NHSRA is of the opinion that the competitor has attempted to intentionally circumvent the rules or disturb other competitors in an unsportsmanlike manner, he may be warned, then penalized by the deduction of 10 points from his/her score and may be disqualified.

(g) If the Arena Director, Chief Range Safety Officer, Range Officer or other competition official certified by the NHSRA considers that the competitor is holding up the procedure unnecessarily, with the intention of gaining unfair advantage, he may be warned, then penalized by having 10 points may be deducted from his/her score or may be disqualified.

(h) The discharge of any firearm anyplace other than the firing line, or the firing line prior to the shooters being placed in the preparation period, will result in disqualification and expulsion from the competition. If a firearm is discharged while the shooters are in the preparation period prior to the command **LOAD**, it will result in the competitor being disqualified.

(i) Any competitor placing an unfired cartridge in the chamber, on the loading ramp or in the magazine before the command "load", will be warned on the first violation and disqualified for the second violation.

10. RANGE COMMANDS, CONTROL AND OPERATIONS

10.1 Discipline - The safety of competitors, range personnel and spectators requires continuous attention by all to the careful handling of firearms and caution in moving about the range. Self-discipline is necessary on the part of all. Where such self-discipline is lacking it is the duty of the range personnel to enforce discipline and the duty of competitors to assist in such enforcement.

Under no circumstances shall firing commence or continue on a range where an unsafe condition exists.

10.1.1 Actions Open - Unless the rifle is cased, the action must remain open at all times and the ECI inserted in the chamber. The ECI must be continuous from chamber to muzzle visible at both ends. No competitor will aim toward the targets until the proper command is given. No rifle will be handled in any manner to violate any rule of safety.

10.1.2 Rifles Unloaded - Rifles will not be loaded until the competitor has taken position at his/her firing point, rifles pointed toward the targets and the command "LOAD" has been given.

10.1.3 Loaded Rifles - No loaded cartridge will be inserted into the rifle nor placed on the loading ramp except at the firing point and under the command "LOAD". The muzzle of the rifle will be pointed in the direction of the targets and will be forward of the firing line until the rifle is discharged or unloaded.

10.1.4(a) Cease Firing - All shooters will immediately stop firing upon the command "Cease Firing". Actions will remain open and an ECI inserted in the chamber. The ECI must be continuous from chamber to muzzle visible at both ends.

"Cease" is the preparatory part of the command and "Firing" is the action part of the command. NO shot should be fired after the word "Firing" is spoken.

10.1.4(b) Commence Firing - All shooters may start firing upon the command "Commence Firing" as the timing of the string is started with this command.

"Commence" is the preparatory part of the command and "Firing" is the action part of the command. NO shot will be fired before the word "Firing" is spoken.

10.1.5 Not Ready - It is the duty of competitor(s) to notify the Range Officer if not ready to fire at the time the Chief Range Officer asks, "IS THE LINE READY?" Failure of competitor(s) to notify the Range Officer that he/she is not ready means they forfeit their right to refire.

NOTE: 1. If a competitor is not ready through no fault of his/her own, he/she will be given an opportunity to explain. If satisfactory, the competitor will be permitted to refire at a later time or simply allowed to fire with his/her relay and given additional time to make up for time lost.

2. If the competitor is not ready because of his/her own actions, he/she will be required to fire within the appropriate time on his/her appropriate relay.

10.3.1 Preparation Period - (The preparation period will begin only after the shooters have been given time to bring their rifles to the line.) In all cases competitors will be allowed a minimum of 3 minutes to take their places at their firing points and prepare to fire at the beginning of each match, after the firing point has been cleared by the preceding competitor.

Range officials may allow a reasonable period of time (5 minutes) for equipment set-up before the beginning of the three-minute preparation period.

10.3.2 Interrupted Fire - If firing is halted for two minutes or more, a preparation period of a minimum of one minute will be given, and one minute will be added to the firing time remaining.

10.4 Policing Range - It is the duty of competitors to police the firing points after the completion of each Stage, unless otherwise directed. The Range Officers will supervise such policing and will see that the firing points are kept clean.

10.5 Competitors may Score - Competitors will act as scorers when requested to do so by the Arena Director or Chief Range Officer, except that no competitor will score his/her own target.

10.6 Repeating Commands - A Range Officer will repeat the Chief Range Officer's commands only when those commands cannot be clearly heard by competitors under his/her supervision.

10.7 Firing Line Procedures and Commands - When ready to start the firing of a match the Chief Range Officer commands "**RELAY ON THE FIRING LINE.**" Competitors in that relay may set up their equipment on their assigned firing points but will not bring their rifle to the firing line until called to do so by the Chief Range Officer. After the down range area is clear, targets are hung and all shooters and match personnel are behind the firing line the Chief Range Officer commands, "**RELAY ... YOU MAY BRING YOUR RIFLES TO THE LINE, ECIs MUST BE INSERTED IN YOUR CHAMBERS.**"

The Chief Range Officer states, "**YOUR _____ MINUTE PREPARATION PERIOD STARTS NOW.**"

At the end of the preparation period the Chief Range Officer states, "**YOUR PREPARATION PERIOD HAS ENDED.**" After ascertaining that the range is clear, he proceeds with the range firing commands. The Chief Range Officer then asks, "**IS THE LINE READY?**" Any competitor who is not ready or whose target is in bad order, will immediately raise his/her arm and call, "**NOT READY ON TARGET...**" The Chief Range Officer will immediately state "**THE LINE IS NOT READY**", and the Range Officer will immediately investigate the difficulty and assist in correcting it.

When the difficulty has been corrected, the Chief Range Officer calls, "**THE LINE IS READY.**"

When the Chief Range Officer asks, "**IS THE LINE READY?**" and the line is ready, he/she then calls, "**THE LINE IS READY.**"

If the size of the line requires it for safety, the Chief Range Officer will state the following: "**READY ON THE RIGHT, READY ON THE LEFT, READY ON THE FIRING LINE.**"

The Chief Range Officer then commands "**LOAD.**" Rifle chambers may be loaded.

The Chief Range Officer then commands "**COMMENCE FIRING.**" At the latter command he/she starts his/her stopwatch or makes note of the time and at the end of the time limit commands "**CEASE FIRING- CHAMBERS OPEN.**" All rifle chambers and magazines are unloaded, and competitors leave the firing line with the actions of their rifles open.

Shooters are reminded that there will be no handling of firearms forward of the ready line while shooters are down range.

Before competitors are allowed down range the Chief Range Officer should ask "**IS THE LINE CLEAR?**" This means that all rifles on the line are unloaded, and all bolts are open. Upon receiving confirmation from the Line Officers that all rifles are clear, say "**THE LINE IS CLEAR.**" Additional instructions are proper at this time such as "**GO FORWARD AND CHANGE TARGETS**" or "**REMOVE YOUR EQUIPMENT FROM THE LINE FOR THE NEXT RELAY.**"

Succeeding relays are handled in like manner.

Range Officers will immediately command "**CEASE FIRING—CHAMBERS OPEN**" if any incident occurs which

indicates possible injury to some living thing should firing continue. In all other cases commands will originate with the Chief Range Officer.

Should a target blow out of the frame or otherwise become unserviceable the Range Officer will report the condition immediately to the Chief Range Officer who will issue such commands and directions as seem advisable to him/her.

10.7.1 Range Alibis – Re-fires are allowed through faulty or improper range procedure and or weather such as: Targets of a relay rendered un-scoreable or unshootable because of extreme weather conditions (wind/rain).

10.9 Procedure in Case of Defective Cartridge, Disabled Rifle or Malfunction - If a cartridge fails to fire or a rifle fails to function the competitor will call the Range Officer. The Range Officer, when satisfied that there is a defective cartridge, disabled rifle, or malfunction, will permit the competitor to replace the unfired cartridge or clear the jam and continue firing. Additional time may be allowed each competitor, equal to the time lost because of the defective cartridge, disabled rifle or malfunction. It is not required that the Range Officer attempt to fire a cartridge before it is declared defective.

11. COMPETITION OFFICIALS

Officials will be thoroughly familiar with conditions of the program and with National High School Rodeo Association Rules.

11.1 Arena Director - The Arena Director is the official primarily responsible for the efficient conduct of the entire tournament. He/she may change match and firing conditions from those shown in the program, provided an announcement is posted for the information of all competitors, and that such changes are not contrary to current NHSRA Rules. The Arena Director is also directly responsible for the efficient operation of the range and scoring and for the safety and proper discipline of all tournament operating personnel, competitors and spectators. Instructions from the Arena Director for the operation of the tournament will be complied with by all persons on the range. The Arena Director will use the best judgment at all times. His/her behavior and decisions must be characterized by absolute impartiality, firmness, courtesy and complete awareness. In the application of these Rules the Arena Director will confer with the NHSRA Shooting Sports Coordinator or Committee on any doubtful point and will be guided by their decision.

11.2 Coordinator - The National Coordinator is not an administrative or operating official and is not responsible for the behavior or efficiency of either range or scoring personnel. It is the responsibility of the Coordinator to properly interpret and apply all NHSRA Rules. Except in an emergency involving the safety of personnel or property, the Coordinator will not give instruction directly to tournament operating personnel but will give all such instructions through the Arena Director. In the event of a disagreement between Tournament Officials, the Coordinator shall prevail at the match with recourse only to the National High School Rodeo Association Shooting Sports Committee. It is the duty of the Coordinator to render a complete report to the NHSRA covering all phases of the tournament. The Coordinator may disqualify all or any portion of the score, if, in the Coordinator's opinion, the conditions warrant such action.

11.4 Chief Range Safety Officer – NHSRA Chief Range Safety Officers are people who possess the knowledge, skills, and attitude essential to organizing, conducting, and supervising safe shooting activities and range operations. CRSO personnel will give instruction and clarification on rules and proper conduct to both competitors and other Range Safety Officer personnel on the firing line.

11.5 Range Safety Officer - The Range Safety Officer (RSO) supervises shooting activities as prescribed by the range Standard Operation Procedures (SOPs), NHSRA Rulebook and instruction provided by the Chief Range Safety Officer.

11.6 Student Event Director - The Student Event Directors are elected at the first Student Delegate Meeting by Student Delegates, preferably from those entered in the shooting sports competition. The student(s) elected should only be entered in the shooting competitions only to avoid arena conflicts with rodeo events. There will be one Rifle Shooting Sports Event Director at the Junior High Finals and one Rifle Shooting Sports Event Director and one Trap Event Director at the High School Finals. **The student directors will be present during the event they are overseeing for the duration of the event and will be the first point of contact in the event of a challenge or protest by a contestant or provide an equally knowledgeable replacement for this duty.** It is the Student Event Director's responsibility to understand and follow all NHSRA Rules and Regulations, to escalate issues as they arise to the Arena Director and be present during challenge or protest resolution meetings with the contestant.

12. PHYSICALLY DISABLED SHOOTERS -

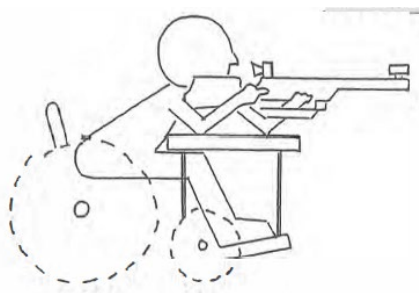
12.1 Physically Disabled Shooters - A shooter who because of physical disability cannot fire from one or more of the prescribed shooting positions outlined in these Rules, or who must use special equipment when firing, is privileged to petition the NHSRA for permission to assume a special position or to use modified equipment, or both. This petition will be in the form of a written request from the person concerned to the Committee outlining in detail the reasons why the special positions must be assumed, or the special equipment must be used. The petition will be accompanied by pictures of the shooter in the position **the contestant** desires approved and, if special equipment is required, the picture will show how this equipment is used. The petition and all pictures must be furnished in exact duplicate. The petition must be accompanied by a medical doctor's statement if the physical disability is not completely evident in the pictures submitted.

(a) Each petition will be reviewed by the Arena Director, the Coordinator and the NHSRA Shooting Sports Committee (if applicable). The Committee may require additional or supplementary statements, medical information or pictures. If approved, the NHSRA will issue special authorization to the individual concerned. Such authorization will have necessary pictures attached. **Safety will be paramount to make the decisions of positions for physically disabled shooters.**

(b) Shooters who have received special authorization will be required to carry them when competing in competition governed by NSHRA Rules, and to present the authorization when requested by officials of the competition or by the NHSRA Coordinator.

(c) In the event of a protest involving the position or the equipment used by such a shooter, the Arena Director will compare the questioned position or equipment with the certificate and photographs presented by the shooter. If the shooter's position or equipment does not, in the opinion of the officials, conform to that authorized by the NHSRA (or if the shooter has no authorization or pictures), the protest shall be allowed, and the shooter will be required to change immediately to the position or equipment which has been approved or to an otherwise legal position or equipment.

NRA Sports Adaptive Shooting Positions –



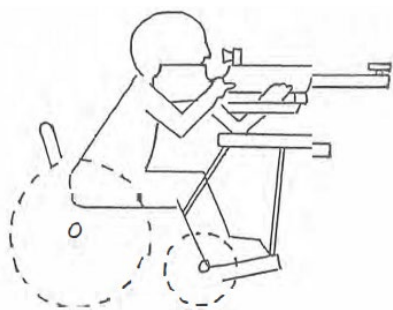
Prone: - Both elbows resting on shooting table. The chest and/or abdomen may also rest on the table (in prone only).

Note: - The shooting table does NOT have to be attached to the wheelchair, it may be freestanding.

Sitting: - This position is the same as the prone position, except that the chest or abdomen may NOT touch the table in any way.



Kneeling: - Only one elbow may rest on shooting table. Chest or abdomen may not contact the table in any way. The sidearms of the wheelchair must be removed when competing.



Standing: - Competitors must sit up against the back of the wheelchair in this position. The shooting table cannot be used in this position; however, an “offhand stand” may be affixed to the wheelchair. The sidearms of the chair must be removed. No part of the competitor’s arms may come in contact with any part of the wheelchair. Rifle sling cannot be used in this position.

Note: - All outlined positions may also be fired while seated on a stool or stationary chair without arms.

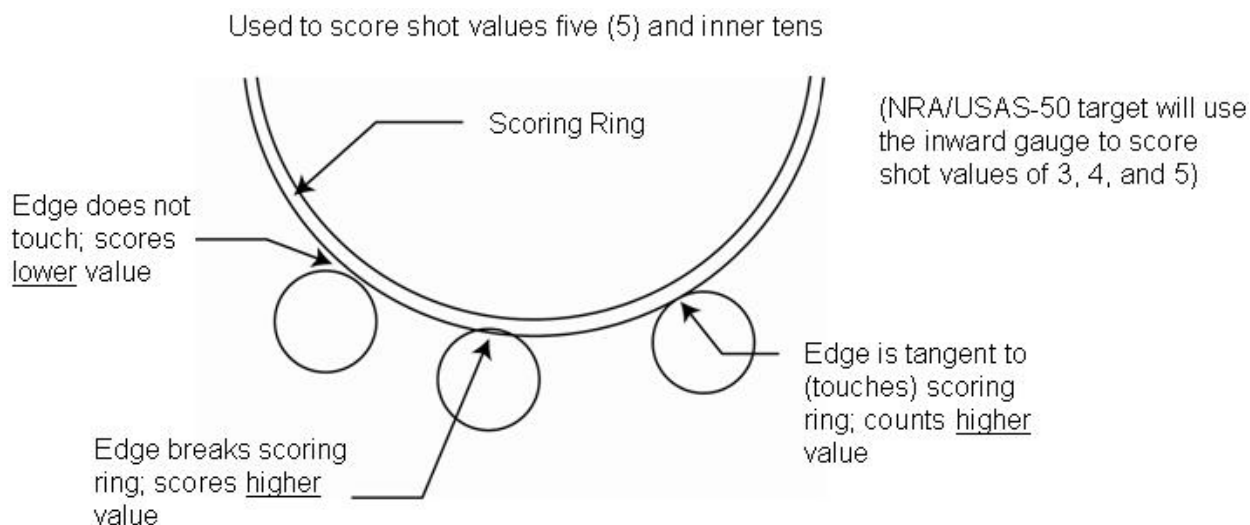
12.2 Temporary Disability: Substitute Position - Any person who has a temporary physical disability, as substantiated by a current written medical opinion, which prevents **the contestant** from using a specified position may assume the next more difficult position in lieu of that position. In this manner, kneeling may be used for prone, and standing may be used for kneeling. The Arena Director must be informed of the substitute and may require that the substitute position be demonstrated so that he may be certain it meets the definition of the appropriate rule.

13. SCORING

13.1 When to Score - Targets are scored as they are collected from the firing line. Special conditions may require other than this usual procedure.

13.2 Where to Score - Targets may be scored in the office or on the range. Scoring of targets while hanging is prohibited.

13.2.1 Targets as Score Cards - Targets constitute the score cards when scored and therefore must be retained in good order until the time allowed for filing challenges and protests has expired.



13.3 How to Score - A shot hole, the lead edge of which comes in contact with the outside of the bullseye or scoring rings of a target, is given the higher value. If a competitor fails to hit any target (shot/s outside the scoring ring) that shot will be scored as a miss (zero). A scoring gauge will be used to determine the value of close shots. Scorers must indicate on the target which shots were plugged.

(a) Inward (best edge) scoring is done as follows: The higher value will be allowed in cases where the flange on the gauge touches the scoring ring. Inward gauges must be within the following limits: .2225-.2240 inches (5.65 - 5.69 mm).

(b) *Shot groups* - When, in scoring outdoor targets, the 10 and in some cases, the 9 rings are partially obliterated by shot groups of two or more shots or when two adjacent shot holes have a connecting tear in the target paper, the plug type scoring gauge shall not be used. In such cases, the values of the shots in the partially obliterated scoring ring area shall be determined by authorized tournament scoring personnel, and the Arena Director when required, by using a scoring gauge aid.

Note: Targets will be scored while in a horizontal position. The plug gauge should be inserted carefully so that no pressure is exerted to any side as this may affect the final plug position in the shot hole and, therefore, the value of the hit. Never plug a shot that is not doubtful. If two scorers cannot agree on the value of a shot, another match official will decide. To make tie breaking easier, it is suggested to score all center shots the first time the scoring team scores a target. Ties would be broken simply by comparing targets as opposed to re-scoring.

(d) *Center shots* - Those shot holes fired on targets without X-ring (A-7, A-17, A-32, A-33, A-50, and A-51) are used to break ties and rank scores. Center shots are determined as follows:

Light Rifle (A-32 target) - Any shot hole within the ten ring which, with the aid of a .22 caliber plug type scoring gauge, the flange or outer ring of which does not touch the outside edge of the ten ring.

13.3.1 Authorized Use of Plug Type Scoring Gauges - The use of the plug type gauge will be restricted to use by range operating personnel who may include the Range Officers or Arena Director, Coordinator or authorized NHSRA personnel, as appropriate to the type of tournament concerned.

13.4 Misses - Hits outside the scoring rings of the competitor's target are scored as misses.

13.5 Early or Late Shots - If any shots are fired before the command **COMMENCE FIRE**, after the command **LOAD** has been given or immediately after the command **CEASE FIRE** prior to the command **THE LINE IS SAFE**, the shots of the highest value on the target card, equal in number to those fired in error, will be scored as misses. All shots fired before or after this time see Rule 9.20(h).

13.7 Excessive Hits

Note: The term "target card" will be interpreted as applying to all record bullseyes framed at one time.

- (a) *On his/her own target* - If a competitor fires more than the required number of shots on a target card, he will be scored only the required number of hits of lowest value minus a penalty equal to the highest score in the target per target (not cumulative scores from the match).
- (b) *On the target of another competitor* - If a competitor fires more than the required number of shots for a target card and one or more hits are on a target other than his/her own, all shots on the targets of others will be brought back to the corresponding bullseye(s) on his/her own target and scored as outlined in Rule 13.7 (a) (excessive hits) and Rule 13.8 (cross-fires). An excessive hit fired on a target other than your own will be brought back as a miss (0).

13.8 Crossfires

- (a) Crossfires of competition shots must be scored as misses. If a shooter fires a sighting shot on the competition target of another shooter, he must be penalized by deduction of the highest score from his/her own score.
- (b) If a shooter fires a sighting shot on the sighting target of another shooter no penalty is incurred.
- (c) If a shooter receives a confirmed crossfire shot and it is impossible to determine which shot is his/hers, he must be credited with the value of the highest undetermined shot.
- (d) If there are more hits on a shooter's competition target than are provided for in the program, and if it is impossible to confirm that another shooter(s) fired the shot(s), the hit(s) equal to the highest value must be nullified.
- (e) If a shooter wishes to disclaim a shot on his/her target, he/she must report this immediately to a Range Officer **before cease fire is called on the active state of the shooting position. This must be called before the end of course of fire.**
- (f) If the Range Officer confirms that the shooter did not fire the disputed shot(s), that the shot must be annulled.
- (g) If the Range Officer cannot confirm beyond all reasonable doubt that the shooter did not fire the disputed shot(s), the shot(s) must be credited to the shooter and must be so recorded.
- (h) The following must be considered as reasons to justify the annulment of a shot:
 - (1) If the Range Official confirms by his/her observation of the shooter and the target that the shooter did not fire the shot;
 - (2) If a missed shot is reported by another shooter or other Range Official at approximately the same time, and from within the neighboring two or three firing points.

13.8 Ricochets - A hole made by a ricochet bullet does not count as a hit and will not be scored.

13.9 Visible Hits and Close Groups - All hits which are clearly visible on the target card will be scored. In the case where the grouping of three or more shots is such that it is possible for a required shot or shots to have gone through the enlarged hole without leaving a mark or marks, and there is no evidence that a shot or shots have gone elsewhere than through the assigned target (a cross-fire for example), the shooter will be given the benefit of the doubt and scored hits for the required number of shots in that bullseye. If such action could place a non-visible hit or hits in either of two scoring rings, such hits shall be scored in the high value ring.

13.11 Scoring Altered Targets - Targets intentionally altered, or marked to benefit a shooter over other competitors, will not be scored.

14. DECISION OF TIES

14.1 Match - The term "match" as used in this section refers to all individual matches.

14.7.2 Tie Breaking for Position Matches

Aggregate Matches or any fired match consisting of multiple positions.

- (1) By the greater number center shots on targets.
- (2) By the highest-ranking score in the standing position, then kneeling and prone.
- (3) By the greater of center shots in standing.
- (4) By the highest score on the last numbered bullseye in standing.
- (5) By the greater number of center shots on the last numbered bullseye in standing.
- (6) By the highest-ranking score on each bullseye applied in inverse order from last to first in standing.
- (7) By the greater number of center shots on each bullseye applied in inverse order from last to first in standing. If still a tie, apply 3 through 6 to the kneeling position, followed by prone.

14.17 Unbreakable Ties - In case a tie cannot be ranked as provided in this section, the Arena Director will direct the awards to be given under one of the following plans:

- (a) By the firing of a complete or partial score under the original match conditions or at the longest range of the match.
- (b) By drawing lots for merchandise, trophy awards, pooling and equally dividing cash awards to which those tied may be entitled.

15. CHALLENGES AND PROTESTS

The challenge period, unless otherwise resolved during the event, will start immediately after all targets for the competition have been scored and audited. The challenge period will commence for one (1) hour after all targets have been delivered to the challenge area. *Only the competitor will be allowed in the target review area. The contestant will only be allowed to review their own target.*

ALL scored targets will be available in the designated challenge area AND MAY NOT BE REMOVED FROM THIS AREA until the challenge period is over.

Challenges can **ONLY** be initiated by the contestant and the contestant is the only individual who may handle his/her scored targets for initial inspection and for the duration of the challenge period. **Once the contestant has accepted the target, reviewed the target, and returned the target to the officials their challenger period is complete. Contestant cannot request to review the target again after returning it to the officials. Absolutely NO cell phones or other photography/electronic devices are allowed in the reviewing area.**

Replugging or regauging targets will **ONLY** be done by authorized personnel and in full view of the contestant. Any interested party found using plug tools on their own or someone else's targets prior to the end of the challenge period, may be subject to disqualification.

Administrative errors such as mathematical errors will be corrected immediately and noted in the standings after the challenge period is over.

Challenges **MUST** be made in a courteous manner and in the spirit of the competition. Disparaging comments or personal accusations will not be tolerated and may result in disqualification of the contestant.

Challenges will be made using this process:

- (a) Any protest **MUST** go through the Student Event Director first. If not reconciled, then
- (b) The Student Event Director and the contestant will consult the Chief Range Safety Officer and/or the Arena Director.
- (c) The Student Event Director, Chief Range Safety Officer, Arena Director and Coordinator will then make a final decision regarding the protest with a complete statement of facts and notify the contestant.
- (d) **Once a contestant turns in their target and leaves the challenge location, they have forfeited their right to further challenges.**

Official scores will be posted once the challenge period is over and all audit adjustments (if necessary) have been made.

15.2 Protests - A competitor may formally protest:

- (a) Any injustice which he feels has been done him except the evaluation of a target, which he may challenge as outlined in Rule 15.
- (b) Conditions under which another competitor has been permitted to fire.
- (c) Equipment which another competitor has been permitted to use.

15.3 How to Protest - A protest must be initiated immediately upon the occurrence of the protested incident. Failure to comply with the following procedure will automatically void the protest:

- (d) Any protest **MUST** go through the Student Event Director first. If not reconciled, then
- (e) The Student Event Director and the contestant will consult the Chief Range Safety Officer or Arena Director.
- (f) If not satisfied with his decision then, state the complaint orally to the Coordinator. Such complaints or protests must be filed within 4 hours of the occurrence of the protested incident.
- (g) The Student Event Director, Chief Range Safety Officer, Arena Director and Coordinator will then make a final decision regarding the protest with a complete statement of facts and notify the contestant.

ALL PROTESTS/CHALLENGES WILL BE HANDLED BY THE SHOOTING SPORTS ARENA DIRECTORS AND STAFF AND THEIR DECISIONS WILL BE FINAL. DISPUTES IN THESE EVENTS WILL BE RESOLVED BEFORE SCORES ARE POSTED. BLATANT SAFETY VIOLATIONS CAN AND WILL RESULT IN DISQUALIFICATION. DISPUTES ARE NOT ELIGIBLE FOR EXECUTIVE COMMITTEE REVIEW. IF A CONTESTANT FEELS AS IF THEIR DISPUTE WAS NOT HANDLED PROPERLY IN THE FIELD OR DURING THE PROTEST PERIOD, THE CONTESTANT SHOULD INFORM THEIR NATIONAL/PROVINCIAL DIRECTOR FOR CLARIFICATION.

16. COMPETITORS' DUTIES AND RESPONSIBILITIES

Note: The following competitors' duties are in addition to those specified elsewhere throughout these Rules.

16.1 Discipline - It is the duty of each competitor to sincerely cooperate with Tournament Officials in the effort to conduct a safe, efficient tournament. Competitors are expected to promptly call the attention of proper officials to any infraction of rules of safety or good sportsmanship. Failure of a competitor to cooperate in such matters or to give testimony when called upon to do so may result in said competitor being considered as an accessory to the offense.

16.2 Knowledge of Program - It is the competitor's responsibility to be familiar with the program. Officials cannot be held responsible for a competitor's failure to obtain and familiarize himself with the program.

16.3 Reporting at Firing Point - Competitors must report at their assigned firing point immediately when the relay is called by the Range Officer. The proper rifle and ammunition for that particular match must be ready and in safe firing condition. Time will not be allowed for rifle repairs, sight blacking, sight adjustments or search for missing equipment after a relay has been called to the firing line.

16.4 Timing - The timing of the firing of a stage (within the official time limit) is the competitor's responsibility. Range Officers may not announce the time during the firing but if requested will give the competitor information as to remaining time.

16.5 Loading - No competitor will load a rifle except at the firing point and after command has been given by the Chief Range Safety Officer.

16.6 Cease Firing - All rifles will be unloaded immediately upon the command **CEASE FIRING – UNLOAD AND INSERT ECI**. Actions will remain open with the ECI inserted. The ECI must be continuous from chamber to muzzle visible at both ends.

16.7 Checking Scores - It is the duty of competitors to check the Posting Board and call attention to errors within the time specified at the competition. Failure to check scores within the time limit forfeits the right to challenge.

16.8 Clearing the Firing Point - It is the competitor's duty to leave the firing point promptly at the conclusion of his relay. When leaving the firing point the rifle must be unloaded with action open and ECI inserted. The ECI must be continuous from chamber to muzzle visible at both ends.

16.9 Score Cards Must be Signed - When targets are scored on the firing line or at the target butts at the conclusion of the scoring, the scorer adds the value of the shots, places the total on the score card and signs or initials the card.

16.91 Responsibility - It shall be the competitor's responsibility, that:

- (a) All equipment meets all rules and match specifications in any match in which that equipment is to be used. **All equipment used by the contestant must be carried by the contestant through safety checks.**
- (b) Competitor's position conforms to the rules.
- (c) Competitor has full knowledge of the rules under which that match is fired.
- (d) After due warning of any infraction of existing rules, including the improper marking of the target, that competitor shall understand that a repetition thereof shall be the subject of disqualification for that relay or match.
- (e) When targets are framed by the competitor, it is the competitor's responsibility that the correct target and backer for the range and position being fired are framed properly.
- (f) To ensure that his target is not altered intentionally or with special marks which benefit him in any way. Scores fired on such targets will be disqualified.
- (g) When the targets are framed by the competitor, it is the competitor's responsibility to ensure that the area between the target and firing point is clear of obstructions (weeds, wind flags, etc.) before the start of the preparation period.

(h) It is the contestant's responsibility to remove all scored targets from the office area within one (1) day after the competition is declared final (post-challenge period) when final results have been posted. All unclaimed targets will be disposed of after 1 day.

SECTION 10: NHSRA TRAPSHOOTING RULEBOOK

National High School Rodeo Trapshooting Rules

REVISED February 6, 2023

NATIONAL HIGH SCHOOL RODEO ASSOCIATION Official Rules for Trapshooting in NHSRA

SAFETY IS YOUR BUSINESS! READ THE RULES

These rules provide for the efficient and orderly operation of a competition. But *that's not all*. Many local range regulations exist for one reason alone SAFETY. Others serve a dual purpose, smooth range operation and SAFETY. It's your responsibility as a competitor or as a competition official to be familiar with the rules and to know the meaning behind those which are safety oriented.

NRA (Adopted by NHSRA) GUN SAFETY RULES

The fundamental rules for safe gun handling are:

- Always keep the gun pointed in a safe direction.
- Always keep your finger off the trigger until ready to shoot.
- Always keep the gun unloaded until ready to use.

When using or storing a gun, always follow these NRA (adopted by NHSRA) rules:

- Be sure the gun is safe to operate.
- Know how to safely use the gun.
- Use only the correct ammunition for your gun.
- Know your target and what is beyond.
- Wear eye and ear protection as appropriate.
- Never use alcohol or drugs before or while shooting.
- Store guns so they are not accessible to unauthorized persons.

Be aware that certain types of guns and many shooting activities require additional safety precautions.

To learn more about gun safety, enroll in an NRA safety training or basic marksmanship course, NRA hunter clinic or state hunter education class.

1. NHSRA COMPETITION

1.0 NHSRA Competition - NHSRA Competition is a competition which is authorized by the National High School Rodeo Association. The program, range facilities and officials must comply with standards established by NHSRA and must be approved by the National Office by submitting a Rodeo Approval form 30 days prior to the event via the State/Provincial Secretary.

NHSRA Sanctioned Events - A Sanctioned Event is an event that has been approved by the National Office. Such matches must be conducted by a NHSRA affiliated organization.

Types of NHSRA Matches

(a) **Match** - A complete event as indicated in the schedule for the awarding of certain specific prizes. A match may consist of one or several stages.

(b) **Stage** - A portion of a match which consists of one or more strings fired in one position, distance, time allowance, or target.

(c) **Unsquadded Individual Match-** A match in which the competitor is not assigned a definite relay or target. The competitor reports to the official registration area within the time limits specified on the official posting board and is then assigned to a target and a relay in which to fire. For the National Finals event(s), report times will be listed on the official Draw Posting Board prior to the event.

(d) **SUB-EVENTS** A sub-event is any number of targets shot on any one field at one time, with one full rotation on all five (5) posts by each shooter, such as (25) 16-yard targets. An event is the total targets of a specific type such as (100) 16-yard targets. It is not necessary to change traps after each sub-event.

2. ELIGIBILITY OF COMPETITORS

Eligibility of Competitors - The conditions of a match shall prescribe the eligibility of competitors.

INDIVIDUALS

2.1 Members of the National High School Rodeo Association - Any individual member of the National High School Rodeo Association.

TEAMS

2.12 Team Representation- No individual may be a Team Captain, Coach, firing member, or alternate firing member on more than one team in any one match.

CONDUCT

2.13 Members are strongly encouraged to know the NHSRA Trapshooting Rules and abide by them for their own benefit and for the benefit of other shooters. By entering the competition, every contestant agrees to accept all official decisions and to abide by these rules.

3. EQUIPMENT AND AMMUNITION

This section defines authorized equipment. Where alternative types of equipment are shown, the least restrictive conditions apply unless the tournament programs set forth limitations.

3.1 Shotgun - High School Division Only- Youth or adult size 20, 16 or 12-gauge shotguns may be used. A contestant cannot use: A gun with a chamber larger than 12 gauge. A contestant may not use a gun capable of chambering more than one gauge of shells at the same time. For example, chambering 12 gauge and 20-gauge shells in the same gun at the same time is prohibited. The same shotgun must be used throughout all stages of any one match (except aggregate) except in the case of a malfunction or disabled shotgun when the competitor may change shotguns with permission of the Chief Range Safety Officer or Arena Director.

3.2 Ammunition – A Contestant MAY NOT USE loads that contain nickel or copper coated shot or tracer loads. However, the use of lead, steel, bismuth, or other composite non-toxic shot materials shall be allowed. A contestant MAY NOT USE any load with a velocity greater than 1290 FPS (Feet Per Second) with maximum shot charge of 1 1/8 ounces, or 1325 FPS with a maximum shot charge of 1 ounce, or 1350 FPS with a maximum shot charge of 7/8 ounces or less, as measured in any individual shot shell. These velocities are maximum, and no individual shot shell shall exceed these limits for the designated shot charge. In addition, no load containing more than 1 1/8 ounces or any shot larger than Number 7 1/2 can be used. Shot charges are maximum and no charge may exceed the charge amount by more than 3%. Steel shot in Number 7 will be acceptable as long as velocity criteria are the same as for lead shot shells. A contestant MAY NOT USE any shell loaded with black powder. **NO reloaded ammunition is allowed.**

3.3 Challenges - Shoot Management or any contestant may challenge the load of any other contestant. Any challenge shall be initiated so as to not disrupt the harmony of the shoot or interfere with other contestants not involved with the challenge. On receipt of a challenge management shall obtain a shell or shells from the challenged party, and if after examination, management finds the contestant violated the rule, he/she may be disqualified.

3.4 Eye Protection- All competitors and other personnel in the immediate vicinity of the range complex must wear eye protection devices. **Must show the ANSI Z87.1 safety rating for eye protection devices.**

3.5 Ear Protection - All competitors and other personnel in the immediate vicinity of the range complex must wear hearing protection devices. Only sound reducing devices may be worn by competitors forward of the ready line.

4. TRAPHOUSES AND TARGETS

4.1 Trap Machine – A trap machine which throws targets at an unknown angle shall be used.

4.2 Trap houses – Trap houses must adequately protect the trap loaders and shall not be higher than necessary for that purpose.

4.3 Posts – Posts shall be 3 yards apart on the circumference of a circle whose radius is 16 yards.

4.4 Targets – Targets should not measure more than 4 5/16 inches in diameter and not more than 1 1/8 inches in height. Weight of the target should not be less than 95 grams or more than 105 grams with an allowable variation of plus or minus 5 grams per target lot. A target lot is defined as all targets with the same production number.

5. FIRING POSITIONS AND SHOOTING ORDER

Positions - The positions for use in a match shall be stated in the program under conditions of the match and shall be in accord with the definitions of positions prescribed in this section.

5.1 There shall be five (5) firing positions (posts) numbered 1 to 5 left to right, spaced 3 yards apart and at a distance of 16 yards unless:

There are less than five (5) contestants available for the last squad.

When there are draw outs from a squad after the competition has begun and the squads are scheduled.

When in the opinion of shoot management, the harmony of the shoot may be enhanced by squadding less than five (5) contestants.

5.1.1 Squad positions for less than 5 contestants shall be as follows:

If 1 shooter, post number 2

If 2 shooters, post numbers 2 and 4

If 3 shooters, post numbers 2, 3 and 4

If 4 shooters, post numbers 2, 3, 4 and 5

5.2 Shoot management will provide pullers unless voice activated pullers are used. The puller will not throw a target unless all contestants are in their correct positions.

5.3 Rotation of shooters shall be in a clockwise direction, with the shooter from post 1 advancing to post 2 and the shooter from post 5 rotating to post 1 (or to the post dictated by the number of shooters remaining).

6. SAFETY

6.1 It is the responsibility of both the shooter and shoot management to conduct a shoot in a reasonable and safe manner.

6.2 It is shoot management's responsibility to remove/disqualify any contestant who is conducting himself/herself in an unsafe manner.

6.4 It is shoot management's responsibility to instruct the trap help in proper and safe conduct of their respective duties.

6.5 All trap help must have a flag or other warning device to warn of any person(s) entering or exiting the trap house.

6.6 Trap personnel should be instructed on the potential danger of the trap; trap throwing arm.

6.7 Movement and exposure on adjacent traps should be kept to a minimum.

6.8 The practice of tracking targets behind a shooting squad is unsafe and is not permitted.

6.9 Disorderly Conduct - Disorderly conduct or intoxication is strictly prohibited at the range *complex* and anyone guilty of same will be expelled from the range *complex*.

6.10 Failure to Fire - A gun, which for any reason fails to fire as intended, must be promptly opened without any subsequent determination by the puller/scorer of the cause of the failure to fire. In the event of a jam, the contestant will be given two (2) minutes to clear the jam. If time elapses past 2 minutes, the contestant will be scored as a failure to fire for the remainder of the round.

6.11 All guns must have the action open can contain no live or empty shells at any time, except when the shooter is on the firing line and instructed to load a shell. A break open gun's action may be closed when it is in the gun rack but must not contain a live or empty shell.

6.12 Test shots will not be permitted before a squad starts shooting and may only be fired when requested by the puller/scorer to verify an apparent gun misfire, gun malfunction or broken gun.

6.13 Contestants shall place a live shell in his/her gun only when on a post facing the traps and only when instructed to do so. Only one live shell is permitted in his/her gun at one time and empty shells must be removed before moving from one post to another. When rotating posts, the shooter will not walk in front of other contestants.

6.14 A contestant may hold his/her gun in any safe position when it is his/her turn to shoot. The contestant must in no manner interfere with the preceding shooter by raising his/her gun to point or otherwise create an observable distraction.

6.15 All guns used by contestants must be equipped, fitted and utilized so as to not eject empty shells in a manner that disturbs or interferes with other contestants, including empty casings hitting the station next to the contestant in either direction of their station.

6.16 All shooters, pullers/scorers and trap personnel must wear appropriate eye and hearing protection while on the trap field. Failure to do so could result in disqualification.

6.17 The practice of resting the muzzle of the shotgun on a shooter's toe is prohibited.

7. SCORING

7.1 The "official score" is the record kept by the scorer/puller on the sheets provided by shoot management and will show in detail the scores made in the event.

7.2 The scorer will keep an accurate record of each shot of each contestant and will promptly record either "DEAD" or "LOST" by marking "/" or "X" for "dead" and "0" for "lost". If a score sheet is marked incorrectly, it must be corrected by the scorekeeper in such a manner as to leave no doubt of the score and must be initialed by the scorekeeper. Clear notations of the word "dead" or "lost" are acceptable corrections. If the intent of the scorekeeper is not clearly demonstrated, the score must be counted as lost. The scorer will verbally call "Lost" for each shot lost by each contestant. DEAD targets will not be announced by scorekeeper.

7.2.1 A scorer will rule "LOST" when the contestant fires and fails to break the target whether missed completely or when only dust falls from it. A "Dusted Target" is a target from which there is a puff of dust but no perceptible piece is seen, it is not a dead target and contestant has not called a failure to fire OR when a whole target appears promptly after a contestant's recognizable command and is within the legal limits of flight and the contestant does not voluntarily fire OR when an illegal target, a freak target or a target of a markedly different color is fired at and missed (contestant may refuse these types of targets, but if he/she fires at the target, the result MUST be scored) OR when a contestant voluntarily or involuntarily takes no further part in the event after firing at 1 or more targets and does not fire at all the targets in the event.

7.2.2 When the shooter is prevented by reasons beyond their control from competing the scores for that partial event will not be recorded. Example: shooters have shot 61 targets of a 100-target event when a storm stops shooting. Scores for the first 50 targets only would be reported.

7.2.3 Failure to Fire. A contestant will be allowed (2) failures to fire per "Sub-event of 25". When the first or second failure to fire occurs, the contestant will be allowed to call for and fire at another target. Whenever a failure to fire occurs, the scorer will mark F1 and if applicable, F2 on the score sheet. Subsequent failures to fire will result in "LOST" scores recorded on the score sheet.

7.3 The scorer will distinctly announce "Lost" when a target is missed and "No Target" when no target is thrown, or a target is thrown broken. The scorer may call the result of all targets or only lost targets as directed by shoot management.

7.3.1 The scorer will rule "NO TARGET" and allow another target when an allowable "Failure to Fire" occurs OR when the target is thrown broken (regardless of the result of any shot fired) OR when a whole target appears on the call of the shooter along with target debris OR when a contestant shoots out of turn OR when two (2) contestants fire at the same target OR when the trap is sprung without any call or pull or when it is sprung at any material interval of time before or after the call of the contestant provided the contestant does not fire; if the contestant fires, the result must be scored OR when two (2) targets are thrown at the same time regardless of whether the contestant fires or not OR when an "illegal" target is thrown (a target that is not within the prescribed angle or height limits for single target shooting or what is known as a "flipper" or "freak" target which is a target that may have slipped out of or was not properly placed on the trap or is of a markedly different color), provided the contestant does not fire at it- if the contestant fires, the result must be scored.

7.4 If the scorer announces, "No Target" for any contestant, the next contestant shall not shoot until the last contestant has shot and the scorer has ruled "Dead" or "Lost".

7.5 It is the duty of the scorer to see that the shooters change posts at the proper time, however any targets that are shot after failure to move at the proper time will be scored.

7.6 A shooter is required to shoot the requisite number of targets from each post. If a shooter inadvertently skips a post, he/she or any other member of the squad will not be deemed out of turn but will be required to shoot the specified number of targets from the skipped post. While the shooter is shooting the skipped post, the remainder of the squad will remain behind the trap line and will not proceed to the next trap.

7.7 No member of a squad shall move toward the next post or leave the field until the squad member who is last has fired his/her final shot of the current posts' specified number of targets.

7.8 The official score sheet must be available for shooter inspection at all times.

7.9 It is an error if the referee/scorer fails to properly mark the results of any shot in the section of the score sheet where the results should be recorded. In such cases it is the duty of that contestant to have any error corrected before he/she has fired the first shot at the next post or in the case of his/her last post before leaving the trap. If the shooter fails to have the score corrected, the recorded score(s) shall remain unchanged, and no valid protest will be entertained.

7.10 Every contestant in a squad shall be permitted to examine his/her score before the sheet is sent to the bulletin board or to the cashier's office. The score sheet should be checked, confirmed, and initialed by each contestant. Each Contestant is encouraged to verify that any targets changed during a sub event are correctly noted as either dead or lost. After the completion of the last sub-event the score sheet will be handled as directed by shoot management.

7.11 Any protest concerning a score, or scores must be made before or immediately after the close of the competition to which such scores relate. A valid protest may only be made by a contestant who competed in the event.

ALL PROTESTS/CHALLENGES WILL BE HANDLED BY THE SHOOTING SPORTS ARENA DIRECTORS AND STAFF AND THEIR DECISIONS WILL BE FINAL. DISPUTES IN THESE EVENTS WILL BE RESOLVED BEFORE SCORES ARE POSTED. DISPUTES ARE NOT ELIGIBLE FOR EXECUTIVE COMMITTEE REVIEW AS THIS ACTIVITY IS NOT COUNTED TOWARDS TEAM OR ALL-AROUND POINTS.

8. DULY NOTIFIED

8.1 A contestant must be at the firing point within 3 minutes when it is time for their squad to shoot. Failure to do this may result in disqualification. The contestant is duly notified when their name has been called.

8.2 It shall be the shooter's responsibility to be present until the event is finalized by highest score or other agreed upon disposition.

8.2 If a contestant is involved in a tie-breaker for the event, it is the shooter's responsibility to be ready when called to shoot. If the other tied contestants do respond, the missing contestant is deemed to have forfeited. 3 minutes will be allowed after the contestant's name is called for their squad before the shooter is disqualified.

9. FORMAT/TIE BREAKERS

NOTE: There is to be NO practice or test shots fired the day of the competition.

9.1 First Round. All contestants entered in the competition will be presented with 100 targets.

9.2 When all contestants have shot at 100 targets, Ties that exist in the first 20 will move to the 2nd go in the competition.

9.3 The 2nd go of this competition will be comprised of the top 20 contestants (including ties in the 20th place). The second go will be a mirror of the 1st go with respect to rules and regulations. At the end of the 2nd go, if ties exist in the overall placings in the aggregate scores, contestants will participate in a shoot off.

9.6 Shoot off. Shoot offs will be conducted for any places 1st through 20th that are tied. If there is no tie in 1st place, that shooter would be declared the winner of the event. If there is no tie in 2nd place, that shooter would be declared the Reserve Champion in the event and so on. Ties in the first 20 places will be shot off by presenting 10 targets to each contestant from the 20-yard line for the first tie-breaker. *If a tie still exists, shooters will shoot another 10 targets from the 23rd yard line to try to break the tie. If a tie still exists, shooters will shoot another 10 targets from the 27-yard line to try to break the tie. If a tie still exists, shooters will alternate shots from the 27-yard line on post 5 until the tie is broken.*

9.7 Protests or challenges should be voiced immediately after score cards are announced and must be done by the shooter or another shooting contestant. Scorer will verbally call "Lost" or Dead" for each shot fired by each contestant. Disputes and/or protests for an individual shot must be voiced immediately.

SECTION 10. DRESS CODE FOR SHOOTING SPORTS EVENTS AT NATIONAL FINALS

Junior High and High School Events

These requirements are for competitors.

10.1 Shooting sports contestants **are required** to wear contestant/back numbers at all times. If they are not wearing their contestant/back number, the contestant **WILL** be disqualified.

10.2 Jeans/long pants or trousers, **wrist length sleeve shirts with collar and cuff** are required, **shirts must be tucked in. Shirt cuffs can be unbuttoned/ unbuttoned during competition. Sleeves may be rolled one time to allow flexibility, no more than a 4" roll. All footwear must be closed toe.**

10.3 Any messages on clothing **MUST** be positive and cannot advertise alcohol or tobacco products.

10.4 Western boots and cowboy hats are optional during the competition; cowboy hats can prove to be a safety issue if it is blown off during a flight. **Spurs are HIGHLY discouraged, and contestant may be asked to remove them at any time.**

10.6 Baseball caps are acceptable.

10.6.1 Shooting Coats - Are not permitted. OUTERWEAR IS NOT ALLOWED AT THE NATIONAL FINALS EVENTS. In addition, outer clothing, for example but not limited to vests, sweatshirts, and jackets, worn that may be used to provide support or advantage are not allowed unless weather conditions dictate. It will be up to the sole discretion of the Arena Director and CRSO to determine this need.

10.7 Western attire must be worn when accepting awards during the year-end awards ceremony to include jeans, long sleeved shirts buttoned at the wrist, belt, boots and cowboy hat.

Just a reminder: These events are outdoors, and, in most cases, there is little to no shelter. Please remember to bring plenty of water to stay hydrated. Portable shade such as umbrellas, visors or hats for spectators is recommended. Severe, inclement weather may cause delays or postponement.

Appendix

1: Other Awards

[For Shooting Sports Members in General, not necessarily affiliated with NHSRA]

NRA Marksmanship Qualification Program. From a young shooter's first BB gun to sophisticated air rifles, shotguns, muzzleloaders, pistols and rifles, the NRA Marksmanship Qualification Program offers shooters a self-paced training platform to develop their shooting skills. It's a drill. We set the standards and you meet the challenge! Progression is self-paced, and scores are challenging but attainable. Performance is measured against established par scores and any shooter who meets or exceeds those scores is entitled to the corresponding recognition awards for that rating. For more information visit: <https://mqp.nra.org>.

National Rifle Association Youth Education Summit. Since the program's inception in 1996, more than 850 students have graduated from Y.E.S. and over \$500,000 in scholarships has been awarded. Scholarships totaling over \$55,000 will be awarded at this summit. For more information, please go to: <https://yes.nra.org>.

NRA Youth Wildlife Art Contest The George Montgomery/NRA Youth Wildlife Art Contest offers young artists interested in hunting and wildlife an outlet to use their creative talent, practice artistic techniques, and refine wildlife identification skills through the creation of original works. This contest encourages youth to nurture their interest for the visual arts, hunting, and wildlife conservation. It also reinforces the positive effects of hunting and wildlife conservation with the public at large.

Students grades 1 through 12 (including home-schooled children) are eligible to enter and all entries must portray North American game birds or animals that may be legally hunted or trapped. Artists have the chance to win thousands of dollars in prizes! For more information, visit <https://artcontest.nra.org/>.

Building the Next Generation of Hunters NRA's Youth Hunter Education Challenge (YHEC) provides a fun environment for kids 18 and under to improve their hunting, marksmanship and safety skills. Through its simulated hunting situations, live fire exercises, educational and responsibility events, YHEC helps build upon skills learned in basic hunter education courses and encourages safer, lifelong hunting habits. From rifle, bow and muzzleloader shooting at life-sized targets, to wildlife identification, map and compass orienteering and more, YHEC participants can get hands-on training in eight skill areas, giving them expertise in all methods of take and all types of game. For more information, please visit: <https://yhec.nra.org/>.

Shooting Sports Coach Development The NRA Coach Education Program offers multi-level training for coaches of the competitive shooting sports in partnership with USA Shooting, the Civilian Marksmanship Program, the Amateur Trapshooting Association, the National Skeet Shooting Association and the National Sporting Clays Association. Separate

coach training courses are available for rifle, shotgun, pistol and high-power rifle. It is our goal to provide every coach with the tools to be successful. The NRA is committed to creating a positive environment in which coaches, athletes, parents, officials and fans work together to achieve our mission in the shooting community. For more information, please visit: <https://coach.nra.org/>.

Rocky Mountain Elk Foundation: Conservation Awards & Scholarships

The Wildlife Leadership Awards (WLA) were established to recognize, encourage and promote leadership among future wildlife management professionals. The WLA grants scholarships to college juniors and seniors chosen for their dedication to wildlife conservation.

Each spring, the RMEF recognizes outstanding wildlife science college students through our scholarship program, the Wildlife Leadership Awards (WLA). Established to recognize, encourage and promote leadership among future wildlife management professionals, the program awards scholarships to college juniors and seniors chosen for their leadership ability, dedication to wildlife conservation and scholastic achievements. Awards include a \$5,000 scholarship and one-year RMEF membership.

WLA encourages young adults to pursue a career in conservation (wildlife management in particular) and provides a means for them to acquire the in-depth knowledge and experiences necessary to cement their commitment to the cause and become leaders in their field.

For more information, go to rmef.org/rmef-kids

APPENDIX

2. TRAINING COURSES

National Rifle Association Training *

***NRA Certified Rifle Instructor.** NRA Certified Instructors are individuals who are 21 years old or older. The NRA Instructor courses take experienced shooters and teach them to “teach” shooting using the NRA methodology and standards. The course is 14 hours and includes classroom and range activities with student teaching, evaluation and testing. The course is conducted by an NRA Training Counselor.

***NRA Certified Shotgun Instructor.** The NRA shotgun instructor course is 11 hours and includes classroom and range activities with student teaching, evaluation and testing. The course is conducted by an NRA Training Counselor.

***NRA Certified Range Safety Officer.** The NRA basic Range Safety Officer training is 9 hours and includes classroom and range activities with student teaching, evaluation and testing. The course is conducted by an NRA Chief Range Safety Officer or NRA Training Counselor. **For more information go to: <https://rso.nra.org/>**

***NRA Chief Range Safety Officer.** The NRA Chief Range Safety Officer training is approximately 8 hours and includes classroom and range activities with student teaching, evaluation and testing. The course is conducted by an NRA Training Counselor. **For more information go to: <https://rso.nra.org/>**

***NRA Training Counselor.** Qualified, experienced, certified instructors may apply for appointment as a training counselor to recruit and train new instructors to teach basic firearms training courses. To be eligible, they must:

- Be a member of the NRA

- Have at least 2 years of experience teaching discipline-specific NRA basic courses, conducting a minimum of 5 basic firearms courses with a total of 25 students.
- Attend a training counselor workshop and receive the endorsement of the NRA training counselor trainer.

***NRA Coach Education Program.** The coach education program under the Education and Training Division of the NRA offers both basic and advanced technical and tactical skills coach training schools for rifle, pistol, shotgun and high-power rifle along with training camps and clinics. Training reflects the latest in coaching philosophy and presentation methodology along with the most up-to-date techniques and competition tactics to help you and your team achieve your goals.

For information on all Education Programs offered by the NRA, please visit: <https://coach.nra.org/> for more information.

***NOTE- Due to ITAR Regulations, NRA training can only be delivered to US Citizens. Please see specific information for your Province/Country for training provided in your locale.**

APPENDIX

3. GRANTS

***NOT ASSOCIATED WITH NHSRA**

NRA Foundation Grants. For more than two decades, The NRA Foundation has served the needs of freedom-loving Americans across this great nation. We continue to teach freedom through programs that instill knowledge about our nation’s great history. We build partnerships with leaders in our communities and provide grants that are instrumental in funding programs that support our shared vision.

Since our establishment in 1990, we’ve exceeded more than \$300 million in funding through more than 38,000 grants in support of the shooting sports. These grants provide essential funding that benefits programs such as youth education, law enforcement training, hunter education, conservation, firearms and marksmanship training and safety, and much more.

If your eligible organization or program is in need of funding assistance, you’re invited to apply for a grant through The NRA Foundation. Two types of grants are available: General Grants are offered for supplies, equipment and consumables; Range Grants are offered to improve a range facility, for projects such as berm work, classroom, pavilion, road or trap machine improvements. Visit <https://www.nrafoundation.org/grants/frequently-asked-questions/> for more information.

Friends of NRA Banquets. Friends of NRA banquets are known for three things- fun, fellowship, and fundraising. For more information, please visit: <http://www.friendsofnra.org/>

Appendix

4. Shooting Sports Colleges

Trap & Rifle/Smallbore Colleges

ARKANSAS STATE UNIVERSITY

MILITARY SCIENCE DEPARTMENT, PO BOX 1810 STATE UNIVERSITY, AR 72467-1810

Details

Disciplines: SB Rifle, Pistol, ROTC, Indoor Range

Equipment Provided: Yes

Comments: ROTC Competition

Contact

Contact: DAVID HASTINGS

Position: ROTC ENROLLMENT OFFICER

Phone: (870) 972-2116

Email: dhastings@astate.edu

BARTON COUNTY COMMUNITY COLLEGE

245 NE 30 ROAD, GREAT BEND, KS 67530

Details

Disciplines: SB Rifle, Pistol, Indoor Range

Equipment Provided: Yes

Comments: Education Only - Courses in Riflery and Target Shooting (Pistol & Rifle) offered through the Physical Education Department.

Contact

Contact:

Position: ADMISSIONS OFFICE

Phone: (620) 292-9241

BOISE STATE UNIVERSITY

DEPARTMENT OF MILITARY SCIENCE, 1910 UNIVERSITY DRIVE BOISE, ID 83725

Details

Disciplines: SB Rifle, ROTC, Indoor Range

Scholarship Available: Yes

Equipment Provided: Yes

Comments: Marksmanship and weapons training through ROTC program. Scholarships available through ROTC.

Contact

Contact:

Position: ROTC DEPARTMENT

Phone: (208) 426-3500

Fax: (208) 343-0543

Email: armyROTC@boisestate.edu

BOSTON UNIVERSITY

NAVAL ROTC UNIT, 116 BAY STATE RD BOSTON, MA 02215

Details

Disciplines: SB Rifle, Pistol, ROTC, Indoor Range

Equipment Provided: Yes

Intercollegiate: Yes

Comments: Interservice Competition; www.bu.edu/navyROTC

Contact

Contact:

Position: ARMY ROTC UNIT

Phone: (617) 353-4025

Fax: (617) 353-7270

Email: buarmy@bu.edu

Contact:

Position: NAVAL ROTC UNIT

Phone: (617) 358-3470

Fax: (617) 353-6495

Email: navyROTC@bu.edu OR bunROTC@bu.edu

CALIFORNIA POLYTECHNIC STATE UNIVERSITY

DEPARTMENT OF MILITARY SCIENCE, SAN LUIS OBISPO, CA 93407

Details

Disciplines: SB Rifle, ROTC, Indoor Range

Scholarship Available: Yes

Equipment Provided: Yes

Comments: Marksmanship and weapons training through Army ROTC program and Department of Military Science. Participation in Ranger Challenge Team Competitions. Scholarships available through ROTC program.

Website: <http://ROTC.calpoly.edu/index.htm>

Contact

Contact:

Position: ARMY ROTC UNIT

Phone: (805) 756-7682

Email: armyROTC@calpoly.edu

CAMERON UNIVERSITY

DEPARTMENT OF HEALTH & PHYSICAL EDUCATION, 28 WEST GORE BLVD. SOUTH SHELPLER RM 108 LAWTON, OK 73501

Details

Disciplines: Air Rifle, SB Rifle, Pistol, Shotgun, Skeet, Trap, Club Sport, Indoor Range

Equipment Provided: Yes

Comments: Education only - Riflery (safety and marksmanship) course plus recreational activities (shooting sports.)

Contact

Contact: JAMES HELVEY
Position: HEALTH & PE FACULTY
Phone: (580) 581-2354
Fax: (580) 581-5537
Email: jameshel@cameron.edu

CANISIUS COLLEGE

2001 MAIN STREET, BUFFALO, NY 14208

Details

Disciplines: Air Rifle, SB Rifle, ROTC, Club Sport, Indoor Range

Equipment Provided: Yes

Intercollegiate: Yes

Comments: The Team/Club is open to Canisius College Army personnel, and all Canisius College students, faculty, and staff. Affiliations include NRA Collegiate Club Team, Civilian Marksmanship Program, and Canisius College Army ROTC.

Contact

Contact: ROBERT DICKERSON

Position: HEAD RIFLE COACH

Phone: (716) 888-2197

Email: dickers@canisius.edu

Contact: ROBERT MORRIS

Position: ASST. COACH

Phone: (716) 888-3233

Email: morrisr@canisius.edu

Contact: GENE BASS

Position: ASST. COACH

Phone: (716) 888-3234

Email: bassg@canisius.edu

CENTRAL MICHIGAN UNIVERSITY

DEPARTMENT OF MILITARY SCIENCE, 111 FINCH FIELDHOUSE MT PLEASANT, MI 48859

Details

Disciplines: Air Rifle, SB Rifle, ROTC, Club Sport, Indoor Range

Scholarship Available: Yes

Equipment Provided: Yes

Comments: Marksmanship and Rifle Club through ROTC program. ROTC scholarships are available.

Website: <http://www.cmich.edu/chsbs/x21965.xml> The Marksmanship Club and Rifle Team focuses on developing precision marksmanship of the cadets in the Chippewa Battalion. The cadre responsible for this club includes a nationally competitive marksman and a military trained sniper. Cadets receive focused training on .22 caliber competition-grade rifles, the M-16 rifle and the M-9 handgun, as well as various other weapons employed by the United States Army. The club utilizes our one-of-a-kind indoor rifle range, donated by Brigadier General (retired) John Kulhavi, on a weekly basis. They also take advantage of ranges in our local community and Army National Guard Posts to fire larger weapons and even provide familiarization with weapons like the M-249 Squad Automatic Weapon. The Rifle Team competes in national postal matches and is laying the groundwork for a local competition with other ROTC programs in the near future.

Contact

Contact: RYAN M FINLEY

Position: ASSOCIATE PROFESSOR

Phone: (989) 774-3409

CENTRAL MISSOURI STATE UNIVERSITY

DEPT MILITARY SCIENCE & LEADERSHIP, HUM 101 B WARRENSBURG, MO 64093

Details

Disciplines: SB Rifle, Pistol, ROTC, Indoor Range

Equipment Provided: Yes

Comments: Website: www.ucmo.edu/ROTC

Contact

Contact: CRAIG CHANDLER

Position: ROTC ENROLLMENT OFFICER

Phone: (660) 543-4867

Fax: (660) 543-4869

Email: chandler@ucmo.edu

CLAREMONT MCKENNA COLLEGE

ARMY ROTC UNIT - BAUER CENTER, 500 E. NINTH STREET CLAREMONT, CA 91711-6400

Details

Disciplines: SB Rifle, Pistol, ROTC, Indoor Range

Equipment Provided: Yes

Comments: Education; ROTC - Ranger Challenge and The National Society of Pershing Rifles

Contact

Contact:

Position: ARMY ROTC UNIT

Phone: (909) 621-8102

Email: cmcROTC@cmu.edu

COLUMBIA UNIVERSITY

NYC ARMY ROTC - 441 EAST FORDHAM ROAD, FACULTY MEMORIAL HALL ROOM 130 BRONX, NY 10458

Details

Disciplines: Air Rifle, SB Rifle, ROTC, Indoor Range

Equipment Provided: Yes

Intercollegiate: Yes

Comments: Mid-Atlantic Rifle Conference; Partner School with Fordham University ROTC; Ranger Challenge and Pershing Rifles Competitions Ranger Challenge The Ranger Challenge is an opportunity for schools to "compete" with each other completing military tasks. In addition to a written examination where Cadets test their Army knowledge, there are physical fitness drills and field exercises. Battalions leave a Ranger Challenge with stronger bonds and sharper skills. Pershing Rifles The National Society of Pershing Rifles gives Army ROTC Cadets the opportunity to develop to the highest degree possible. Cadets can take part in precision trick rifle drill teams that provide them with the outstanding traits of leadership, military bearing, and discipline.

Contact

Contact:

Position: NYC ARMY ROTC

Phone: 800NYCROTC

Email: aROTCinfo@nycROTC.com

COLUMBUS STATE UNIVERSITY

RIFLE TEAM - COLUMBUS STATE ATHLETICS, 4225 UNIVERSITY AVENUE COLUMBUS, GA 31907

Details

Disciplines: Air Rifle, SB Rifle, NCAA, Varsity

Scholarship Available: Yes

Equipment Provided: Yes

Intercollegiate: Yes

Comments: The Co-Ed Varsity Rifle Team was a new program in the 2009-2010 school year. The Columbus State University team will practice and compete in the Army Marksmanship Unit's (USAMU) International Shooting Range at Fort Benning. For more information about CSU athletics go to www.csucougars.com.

Contact

Contact: KENNETH "MIKE" GREEN

Position: HEAD COACH - RIFLE TEAM

Phone: (706) 565-4070

Fax: (706) 569-3435

Email: greene_kenneth@colstate.edu

CORNELL UNIVERSITY

ARMY ROTC, 101 BARTON HALL ITHACA, NY 14853-1701

Details

Disciplines: SB Rifle, Pistol, ROTC, Club Sport

Equipment Provided: Yes

Intercollegiate: Yes

Comments: Education Only MILS 2270 BASIC RIFLE MARKSMANSHIP This course introduces students to military marksmanship training. Students will receive hands-on training with the M-16 assault rifle and other Army issue weapons. This course utilizes sophisticated electronic equipment to simulate both training and combat environments.

Contact

Contact:

Position: ARMY ROTC DEPARTMENT

Phone: (607) 255-4000

Email: armyROTC@cornell.edu

DELTA STATE UNIVERSITY

1003 WEST SUNFLOWER ROAD, CLEVELAND, MS 38733

Details

Disciplines: Air Rifle, SB Rifle, Pistol, Shotgun, Skeet, Trap, Indoor Range

Equipment Provided: Yes

Comments: Shooting sports - Intramurals only

Contact

Contact: RONNIE MAYERS
Position: R/P INSTRUCTOR
Phone: (662) 846-4730
Email: rmayers@deltastate.edu

EASTERN ILLINOIS UNIVERSITY

4303 KLEHM HALL, 600 LINCOLN DRIVE CHARLESTON, IL 61920

Details

Disciplines: SB Rifle, Pistol, ROTC, Indoor Range
Equipment Provided: Yes
Comments: ROTC Competition <http://armyROTC.com/edu/easternil>

Contact

Contact: THOMAS TAYLOR
Position: ROTC DEPARTMENT
Phone: (217) 581-5944
Fax: (217) 581-7078
Email: cdROTC@eiu.edu

EASTERN MICHIGAN UNIVERSITY

DEPARTMENT OF MILITARY SCIENCE - ARMY ROTC, 18 ROOSEVELT HALL YPSILANTI, MI 48197

Details

Disciplines: SB Rifle, Pistol, ROTC, Indoor Range
Scholarship Available: Yes
Equipment Provided: Yes
Intercollegiate: Yes
Comments: Marksmanship and weapons training available through EMU ROTC. ROTC participates in Ranger Challenge Team Competition that includes: M16 marksmanship (.22 subcaliber device, .22 caliber rifle or air rifle, if 5.56mm ammunition or ranges are unavailable) and weapons disassembly and assembly (M60/M249 and M16). Scholarships available through ROTC. Website: <http://armyROTC.com/edu/easternmi>

Contact

Contact: KEL ALLEN
Position: ROTC ENROLLMENT OFFICER
Phone: (734) 487-1020
Email: kallen21@emich.edu

EVANGEL UNIVERSITY

MILITARY SCIENCE DEPARTMENT - ARMY ROTC, 1111 N GLENSTONE AVENUE SPRINGFIELD, MO 65802

Details

Disciplines: SB Rifle, Pistol, ROTC, Indoor Range
Equipment Provided: Yes
Intercollegiate: Yes

Comments: Evangel ROTC is a member of the MSU Bear Battalion consisting of six affiliate colleges and universities. Members participate in Ranger Challenge Team competitions.

Contact

Contact: DOUG SCHENCK
Position: EU ROTC ENROLLMENT
Phone: (417) 836-5397
Email: dschenck@missouristate.edu

FAIRMONT STATE COLLEGE

CRIMINAL JUSTICE DEPARTMENT, 1201 LOCUST AVENUE FAIRMONT, WV 26554

Details

Disciplines: SB Rifle, Pistol
Equipment Provided: Yes
Comments: Education Only - Firearms course offered as part of Criminal Justice Curriculum.

Contact

Contact: LENNIE E SHAW
Position: INTERIM CHAIR
Phone: (304) 367-4758
Fax: (304) 367-4785
Email: lennie.shaw@fairmontstate.edu

FLORIDA A & M UNIVERSITY

NAVAL ROTC UNIT, PERRY-PAIGE BUILDING 561 TALLAHASSEE, FL 32307-6200

Details

Disciplines: SB Rifle, Pistol, ROTC, Indoor Range
Equipment Provided: Yes
Intercollegiate: Yes
Comments: www.famu.edu/nROTC Crosstown affiliate with Florida State University (FSU) and Tallahassee Community College (TCC).

Contact

Contact: RAY SPAUDLING
Position: ROTC
Phone: (904) 599-8411
Fax: (904) 561-2517
Email: navyROTC@famu.edu

GARDEN CITY COMMUNITY COLLEGE

801 CAMPUS DRIVE, GARDEN CITY, KS 67846

Details

Disciplines: SB Rifle, Pistol, Shotgun, Trap, Outdoor Range
Equipment Provided: Yes

Comments: Education Only - Recreational Shooting course offered in the Fall term. Hunter's Education Card is required.

Contact

Contact: DOYLE MCGRAW
Position: FACULTY
Phone: (316) 276-9614
Fax: (316) 276-9646
Email: doyle.mcgraw@gcccks.edu

GEORGIA MILITARY COLLEGE

ATTN: ATHLETICS DEPARTMENT/RIFLE RANGE, 201 E GREEN STREET MILLEDGEVILLE, GA 31601

Details

Disciplines: Air Rifle, SB Rifle, Club Sport, Indoor Range

Scholarship Available: Yes

Equipment Provided: Yes

Intercollegiate: Yes

Comments: Member, South Eastern Air Rifle Conference (SEARC); 12-point indoor range. Scholarships are possible.

Website: <http://armyROTC.com/edu/gamilitary> Georgia Military College is a Department of the Army designated Military Junior College. The College has accepted a mission of developing military leaders. The primary vehicle used for this purpose is the Corps of Cadets at the Milledgeville campus. ROTC teaches marksmanship and weapons skills. Also participates in Ranger Challenge Team competition and Pershing Rifles program.

Contact

Contact: BRIAN HAMILTON
Position: ARMY ROTC UNIT
Phone: (478) 445-2731
Email: armyROTC@gmc.cc.ga.us
Contact: MARY ELLEN EATON
Position: RIFLE TEAM CONTACT
Phone: (478) 387-4711
Email: meaton@gmc.cc.ga.us

GRAND VALLEY STATE UNIVERSITY

1 CAMPUS DRIVE, D135 RECREATION CENTER ALLENDALE, MI 49401

Details

Disciplines: Air Rifle, SB Rifle, Club Sport, Indoor Range

Equipment Provided: Yes

Intercollegiate: Yes

Comments: The mission of the Grand Valley State University Rifle Club is to provide students with the opportunity to participate in shooting sports, with an emphasis in smallbore rifle and precision air rifle. Students with all levels of skill are able to have a safe and enjoyable time at the shooting range while interacting with other students and shooting. All equipment, including rifles and ammunition, is provided. New members are welcome through the school year. The team meets Tuesday from 4:00 PM – 7:00 PM and Thursday 6:00 PM – 9:00 PM at the Grand Rapids Rifle & Pistol Club (1331 Nagel SW, Wyoming). The team is a member of the Western Intercollegiate Rifle Conference and competes in local, regional, and National matches year-round.

Website: <http://www.gvsuclubsports.com/sport/0/18.php> Facebook: <https://www.facebook.com/GVSURifleClub>

Contact

Contact: CAMERON ZWART
Position: HEAD COACH
Phone: (616) 915-5718
Email: zwartcam@gvsu.edu

HAMPTON ROADS CONSORTIUM

HAMPTON ROADS NAVAL ROTC, 5215 HAMPTON BLVD NORFOLK, VA 23529

Details

Disciplines: SB Rifle, Pistol, ROTC, Indoor Range

Equipment Provided: Yes

Intercollegiate: Yes

Comments: The Hampton Roads Naval Reserve Officer Training Corps is one of the largest officer training battalions in the nation, consisting of over 250 Sailors, Marines, and Midshipmen. It is comprised of a three-school consortium that includes Old Dominion University, Norfolk State University, and Hampton University.

Contact

Contact:

Position: NAVAL ROTC UNIT

Phone: (757) 683-4741

Email: hrnROTCCrecruiter@odu.edu

HILLSDALE COLLEGE

JOHN HALTER SHOOTING SPORTS EDUCATION CENTER, 4390 BANKERS RD HILLSDALE, MI 49242

Details

Disciplines: Air Rifle, SB Rifle, Pistol, Shotgun, Skeet, Trap

Scholarship Available: Yes

Equipment Provided: Yes

Intercollegiate: Yes

Comments: Hillsdale College is building one of the finest shooting programs in the country, thanks to the support of those that value our freedom and shooting heritage. Classes for students include Intro to Shooting Sports, NRA Home Firearms Safety Course, and First Steps Pistol, Rifle, and Shotgun. There are also Basic Pistol, Basic Rifle and Basic Shotgun classes available. Archery programs began Fall 2015. Competitive and Recreational disciplines are: American Trap and Skeet, International Skeet, Bunker Trap, Sporting Clays, Air Pistol, .22 Pistol, Air Rifle and .22 Rifle. The Shotgun Team is currently successful and active. Teams for the other disciplines will follow in coming years.

Contact

Contact:

Position: PHYSICAL EDUCATION DEPT

Phone: (517) 437-7341

Fax: (517) 437-3923

Contact: BART SPIETH

Position: SHOOTING SPORTS CRDTR

Phone: (517) 610-5593

Email: bspieth@hillsdale.edu

ILLINOIS STATE UNIVERSITY

Student Rifle Club, Military Science Department, 211 N University, Campus Box 5160 NORMAL, IL 61790-5160

Details

Disciplines: Air Rifle, SB Rifle, ROTC, Club Sport

Equipment Provided: Yes

Intercollegiate: Yes

Comments: This club will be shooting 3P-Air. Visit the school at: www.ilstu.edu Army-ROTC

Contact

Contact:

Position: ROTC DEPARTMENT

Phone: (309) 438-5572

Email: aROTC@illinoisstate.edu

Contact: JOSEPH C MILLER

Position: HEAD COACH - RIFLE

Phone: (309) 826-4000

Email: jcmiller@ilstu.edu

ILLINOIS STATE UNIVERSITY

Student Rifle Club, Military Science Department, 211 N University, Campus Box 5160 NORMAL, IL 61790-5160

Details

Disciplines: Air Rifle, SB Rifle, ROTC, Club Sport

Equipment Provided: Yes

Intercollegiate: Yes

Comments: This club will be shooting 3P-Air. Visit the school at: www.ilstu.edu Army-ROTC

Contact

Contact:

Position: ROTC DEPARTMENT

Phone: (309) 438-5572

Email: aROTC@illinoisstate.edu

Contact: JOSEPH C MILLER

Position: HEAD COACH - RIFLE

Phone: (309) 826-4000

Email: jcmiller@ilstu.edu

INDIANA UNIVERSITY OF PENNSYLVANIA

CENTER FOR STUDENT LIFE - PRATT HALL RM 303, 201 PRATT DRIVE INDIANA, PA 15710

Details

Disciplines: Air Rifle, SB Rifle, Pistol, ROTC, Club Sport, Indoor Range

Scholarship Available: Yes

Equipment Provided: Yes

Intercollegiate: Yes

Comments: IUP Rifle Club participates in intercollegiate rifle competitions. Non-NCAA affiliated member of the Mid-Atlantic Rifle Conference (MAC). The primary criteria for membership in this organization will be competitive competence with the rifle. Supporting criteria will be sincerity of desire and competitive spirit. Membership will be on an annual basis and open to all IUP students. At the beginning of each academic semester, a four-week training program will be conducted for prospective members. Upon conclusion of the training course, a competition will be scheduled for all prospective and current members. This competition will yield membership for the year in question. It is believed that subjecting all concerned individuals to annual membership selection procedures will generate a responsibility for the development and retention of competence. IUP ROTC Program - IUP's Military Science Department is housed in one of the largest ROTC facilities on the East Coast,

including classrooms with multimedia and Internet capability, an indoor range for pistol and rifle marksmanship, and a library fully stocked with technical and field manuals. Cadets also have access to an outdoor track, several athletic fields and facilities, and a leadership laboratory. The ROTC program has two phases: The Basic Course, usually taken during the freshman and sophomore years, involves study of Army history, organization, structure, and basic military skills, such as rifle marksmanship, first aid training, and land navigation. The Advanced Course, taken in the junior and senior years, focuses on tactical operations and military instruction. Stressed throughout the courses are management, leadership, and command techniques. Scholarships available through the ROTC. Website: <http://www.iup.edu/ROTC/>

Contact

Contact:

Position: IUP SHOOTING RANGE

Phone: (724) 357-7583

Contact: JULIE VAVRECK

Position: PRESIDENT - RIFLE CLUB

Phone: (814) 602-5889

Fax: (724) 357-2351

Email: j.m.vavreck@iup.edu

Contact: DONNA RANKIN

Position: ADVISOR - RIFLE CLUB

Phone: (724) 357-2700

Email: donna.rankin@iup.edu

IOWA STATE UNIVERSITY

RIFLE & PISTOL CLUB, RM 55 ARMORY AMES, IA 50011

Details

Disciplines: SB Rifle, Pistol, Shotgun, Skeet, Trap, ROTC, Club Sport

Equipment Provided: Yes

Intercollegiate: Yes

Contact

Contact: DARIN VANRYSWYK

Position: R&P CLUB ADVISOR

Phone: (515) 294-4428

Email: dvan@iastate.edu

Contact:

Position: ROTC PROGRAM

Phone: (515) 294-6050

Fax: (515) 294-3788

Email: isunROTC@iastate.edu

JACKSONVILLE STATE UNIVERSITY

ATHLETICS DEPARTMENT - GAMECOCK FIELD HOUSE, 700 PELHAM ROAD NORTH JACKSONVILLE, AL 36265-0939

Details

Disciplines: Air Rifle, SB Rifle, NCAA, Varsity, Indoor Range

Scholarship Available: Yes

Equipment Provided: Yes

Intercollegiate: Yes

Comments: Member, Ohio Valley Conference www.jsugamecocksports.com

Contact

Contact: RON FROST
Position: HEAD COACH - RIFLE
Phone: (256) 782-5185
Fax: (256) 782-5624
Email: rfrost@jsu.edu

JOHN JAY COLLEGE OF CRIMINAL JUSTICE

DEPARTMENT OF ATHLETICS, 899 TENTH AVE, SUITE 421T NEW YORK, NY 10019

Details

Disciplines: Air Rifle, SB Rifle, NCAA, Varsity
Equipment Provided: Yes
Intercollegiate: Yes
Comments: Member, Mid-Atlantic Rifle Conference (MAC); NCAA Division III Rifle Team; www.johnjayathletics.com

Contact

Contact: VINCE MAIORINO
Position: HEAD COACH - RIFLE
Phone: (212) 237-8323
Fax: (212) 237-8474
Email: vmaiorino@jjay.cuny.edu
Contact: TOM LACALAMITA
Position: ASSISTANT COACH - RIFLE
Phone: (212) 237-8371
Fax: (212) 237-8474
Contact: NICK PETRACO
Position: ASSISTANT COACH - RIFLE
Phone: (212) 237-8371
Fax: (212) 237-8484

LOUISIANA STATE UNIVERSITY

LSU ARMY ROTC DEPARTMENT, 106 MILITARY SCIENCE BUILDING BATON ROUGE, LA 70803

Details

Disciplines: SB Rifle, Pistol, ROTC, Club Sport, Indoor Range
Equipment Provided: Yes
Intercollegiate: Yes
Comments: Education Only/Pistol

Contact

Contact: WILLIAM CONGER
Position: ENROLLMENT OFFICER
Phone: (225) 388-2371
Fax: (225) 388-3560
Email: williamconger@lsu.edu
Contact: JOSE RODRIGUEZ
Email: JRODR13@LSU.EDU

LOYOLA UNIVERSITY

4501 N CHARLES STREET, BALTIMORE, MD 21210-2699

Details

Disciplines: SB Rifle, Club Sport, Indoor Range

Equipment Provided: Yes

Intercollegiate: Yes

Comments: Mid Atlantic Rifle Conference (MAC) and off campus range Loyal Marksmanship Club Website:
www.loyola.edu/recsports/clubsports/marksmanship

Contact

Contact: DONALD KEEFER

Position: BIOLOGY DEPARTMENT

Phone: (410) 617-2468

Fax: (410) 617-5682

Email: dkeefe@loyola.edu

Contact: RICK PRZYBYLSKI

Position: CLUB ASSISTANT

Email: rip3579@verizon.net

Contact: JUSTIN BARDEN

Position: OFFICER

Email: jmbarden@loyola.edu

MAINE MARITIME ACADEMY

PLEASANT STREET, CASTINE, ME 04420

Details

Disciplines: Air Rifle, SB Rifle, Pistol, Club Sport, Indoor Range

Equipment Provided: Yes

Intercollegiate: Yes

Comments: Pine Tree State Winter League

Contact

Contact: MECKFESSEL

Phone: (207) 567-3508

Email: emeckfes@mma.edu

MARY BALDWIN COLLEGE

215 NORTH MARKET STREET, STAUNTON, VA 24401

Details

Disciplines: Air Rifle, SB Rifle, ROTC

Equipment Provided: Yes

Intercollegiate: Yes

Comments: The Virginia Women's Institute for Leadership (VWIL) is the nation's premier leadership program for young women. The only all-female Corps of Cadets in the world, VWIL is comprised of academics, physical training, military leadership training, and a co-curriculum. Like MBC, VWIL is challenging, personalized, and transforming. VWIL students are

required to complete three years of ROTC. Four services — Air Force, Army, Navy, and Marine Corps — are available, and instruction is provided by the ROTC detachments at the Virginia Military Institute in Lexington, VA. Classes are conducted in the dedicated ROTC facilities located on the VMI campus or at Mary Baldwin College. In addition, all VWIL cadets participate in the band or rifle platoon of the Mary Baldwin College Corps of Cadets.

Contact

Contact:

Position: ARMY ROTC UNIT

Phone: (540) 887-7144

Fax: (540) 887-9132

Email: ROTC@mbc.edu

Contact:

Position: VMIL CONTACT

Phone: (540) 887-7042

Fax: (540) 887-7132

Email: vmil@mbc.edu

MASSACHUSETTS INSTITUTE OF TECHNOLOGY (MIT)

MIT PISTOL CLUB TEAM, 120 VASSAR STREET CAMBRIDGE, MA 02139

Details

Disciplines: Air Rifle, SB Rifle, Pistol, ROTC, NCAA, Varsity, Club Sport, Indoor Range

Equipment Provided: Yes

Intercollegiate: Yes

Comments: NCAA Affiliated Member, Mid-Atlantic Rifle Conference (MAC) ROTC Interservice Competitions MIT Pistol Club
No prior shooting experience is necessary. All MIT undergraduate students in full time enrollment (more than 36 units) are eligible to shoot competitively on the teams. Recruitment happens during the beginning of the school year with the Athletic Midway which is held during R/O week. If you are a grad student or employee, there is a pistol club at MIT that practices and competes on Tuesday nights and goes to local competitions. For more information go to <http://web.mit.edu/mitprc/www/index.html>. For the undergraduate teams, the season runs from September to March, with the first match in October. Training is currently from Monday to Thursday. The range is open for the teams from 4:30 to 7:00 pm (except on Tuesdays, when the pistol range closes at 6:30 for the MIT P&R Club). As with other sports, training is required, absences must be excused, and participation at home matches is expected. As your level of proficiency increases, you will be asked to go to away matches. You must be patient as it takes as much time to develop proficiency in pistol and rifle as it does in any other sport. However, if you train and stick with it, maybe you can join the ranks of our All-Americans and nationally ranked teams! There are also pistol P.E. classes available (basic and advanced), but slots are limited. Sign-ups are on P.E. registration days twice a semester and during IAP.

Contact

Contact: JERRY MULLOY

Position: HEAD COACH - RIFLE

Phone: (617) 253-3296

Fax: (617) 258-7343

Email: mulloy56@gmail.com

Contact: STEVE GOLDSTEIN

Position: HEAD COACH - PISTOL

Fax: (617) 258-7343

Email: sgold@alum.mit.edu

Contact: DEIDRE PERRIN

Position: ARMY ROTC UNIT

Phone: (617) 253-4471

Fax: (617) 253-6029

Email: perrin@mit.edu

Contact:

Position: MIT SPORT PISTOL CLUB

Email: pistolexec@mit.edu

MASSACHUSETTS INSTITUTE OF TECHNOLOGY (MIT)

MIT PISTOL CLUB TEAM, 120 VASSAR STREET CAMBRIDGE, MA 02139

Details

Disciplines: Air Rifle, SB Rifle, Pistol, ROTC, NCAA, Varsity, Club Sport, Indoor Range

Equipment Provided: Yes

Intercollegiate: Yes

Comments: NCAA Affiliated Member, Mid-Atlantic Rifle Conference (MAC) ROTC Interservice Competitions MIT Pistol Club
No prior shooting experience is necessary. All MIT undergraduate students in full time enrollment (more than 36 units) are eligible to shoot competitively on the teams. Recruitment happens during the beginning of the school year with the Athletic Midway which is held during R/O week. If you are a grad student or employee, there is a pistol club at MIT that practices and competes on Tuesday nights and goes to local competitions. For more information go to <http://web.mit.edu/mitprc/www/index.html>. For the undergraduate teams, the season runs from September to March, with the first match in October. Training is currently from Monday to Thursday. The range is open for the teams from 4:30 to 7:00 pm (except on Tuesdays, when the pistol range closes at 6:30 for the MIT P&R Club). As with other sports, training is required, absences must be excused, and participation at home matches is expected. As your level of proficiency increases, you will be asked to go to away matches. You must be patient as it takes as much time to develop proficiency in pistol and rifle as it does in any other sport. However, if you train and stick with it, maybe you can join the ranks of our All-Americans and nationally ranked teams! There are also pistol P.E. classes available (basic and advanced), but slots are limited. Sign-ups are on P.E. registration days twice a semester and during IAP.

Contact

Contact: JERRY MULLOY

Position: HEAD COACH - RIFLE

Phone: (617) 253-3296

Fax: (617) 258-7343

Email: mulloy56@gmail.com

Contact: STEVE GOLDSTEIN

Position: HEAD COACH - PISTOL

Fax: (617) 258-7343

Email: sgold@alum.mit.edu

Contact: DEIDRE PERRIN

Position: ARMY ROTC UNIT

Phone: (617) 253-4471

Fax: (617) 253-6029

Email: perrin@mit.edu

Contact:

Position: MIT SPORT PISTOL CLUB

Email: pistolexec@mit.edu

MASSACHUSETTS MARITIME ACADEMY

DEPARTMENT OF ATHLETICS, 101 ACADEMY DRIVE BUZZARD BAY, MA 02532

Details

Disciplines: Air Rifle, SB Rifle, NCAA, Varsity, Indoor Range

Equipment Provided: Yes

Intercollegiate: Yes

Comments: NCAA-affiliated member of the Mid-Atlantic Rifle Conference. Massachusetts Maritime has become one of the most improved programs in Mid Atlantic Conference action under the leadership of Head Coach Oliver Deibert, taking top honors at the 2009 MAC Championships in the Marksman Division. Website: <http://www.mmabucs.com/sports/rifle/index>

Contact

Contact: OLIVIER DEIBERT
Position: HEAD COACH - RIFLE
Phone: 508830500
Fax: (508) 830-5056
Email: odeibert@maritime.edu

MICHIGAN STATE UNIVERSITY

DEPT OF STUDENT LIFE - ATTN: MARKSMANSHIP CLUB, 101 STUDENT SERVICES BUILDING EAST LANSING, MI 48824

Details

Disciplines: SB Rifle, Pistol, ROTC, Club Sport
Scholarship Available: Yes
Equipment Provided: Yes
Intercollegiate: Yes
Comments: Marksmanship Club offers firearms education classes, and many information shooting events. Range close - off campus. Website: <http://www.msu.edu/~marksman/> MSU ROTC program offers marksmanship and weapons education and training. Also participates in Ranger Challenge team competitions. Scholarships available through ROTC.
Website: <http://armyROTC.msu.edu>

Contact

Contact: ZACHARY GRAHAM
Position: MARKSMANSHIP CLUB CONTACT
Phone: (313) 580-9538
Fax: (517) 353-5495
Email: marksman@msu.edu
Contact: JAMES D ROUSE
Position: ARMY ROTC UNIT
Phone: (517) 355-1913
Fax: (517) 353-8981
Email: armyROTC@msu.edu
Contact: MIKE GARDNER
Position: ADVISOR-MARKSMANSHIP CLUB
Phone: (517) 355-5007
Fax: (517) 353-5495
Email: gardnerm24@hotmail.com

MICHIGAN TECHNOLOGICAL UNIVERSITY

MTU PISTOL CLUB - 106 MEMORIAL UNION BUILDING, 1400 TOWNSEND DRIVE HOUGHTON, MI 49931

Details

Disciplines: SB Rifle, Pistol, Club Sport, Indoor Range
Equipment Provided: Yes
Intercollegiate: Yes
Comments: Website: <http://pistol.students.mtu.edu/> The Pistol Club of MTU is dedicated to providing a safe, secure, and enjoyable indoor shooting environment for shooters of all ability levels. We will help new shooters become acquainted with

firearm safety and basic shooting, and coach them to be as accurate as possible. The Pistol Club of MTU is partially funded by the Student Activity Fee as well as membership dues. We have several .22LR target pistols available for new shooters to try, and a couple of larger caliber firearms for more advanced shooters. Everyone is welcome at our range hours, from the most accurate bulls-eye shooters to the novices who have never held a firearm before. Michigan Tech is unusual in having a student-run firing range, and we set the highest safety standards for ourselves and our shooters in order to keep this wonderful privilege. The Competition Rifle Team is providing the very best in competition style training and athletic competitions. Our goal is to develop the marksmanship skills of the team members to a level at which the team can compete against NCAA division schools.

Contact

Contact: ROBERT L WASHELESKI
Position: PRESIDENT - PISTOL CLUB
Email: rwashel@mtu.edu
Contact: ROBERT E KEEN
Position: ADVISOR - PISTOL CLUB
Email: rekeen@mtu.edu
Contact: LARRY DAVIS
Position: RIFLE CLUB ADVISOR
Email: LRDAVIS@MTU.EDU

MIDDLE TENNESSEE STATE UNIVERSITY
1301 EAST MAIN STREET, MURFREESBORO, TN 37132

Details

Disciplines: Air Rifle, SB Rifle, Skeet, Trap, ROTC, Outdoor Range, Indoor Range
Scholarship Available: Yes
Equipment Provided: Yes
Intercollegiate: Yes
Comments: Army ROTC Education/ Individual SB and Air Competition via ROTC Weapons Team and Range Challenge Team competitions. Scholarships Available: Army ROTC scholarships (only) Website: www.mtsu.edu/aROTC. New: Clay Target Club of MTSU - The Clay Target Club of MTSU is a club dedicated to the promotion of the shooting sports on the collegiate level. Our goal is to generate competitions among TN universities and surrounding states in the hope that we can put MTSU on the map in the clay target arena. If you like the challenge of busting clay targets, then we have the club for you. If you would like to learn to shoot trap, skeet, sporting clays or any of the clays target sports, we can help you. If you have a competitive spirit and would like to shoot against Kentucky, UT Martin, and other collegiate teams, then you're looking in the right direction. We are a part of the fastest growing sport in the country, and you can be too!

Contact

Contact:
Position: ARMY ROTC UNIT
Phone: (615) 898-2470
Fax: (615) 898-2065
Email: aROTC@mtsu.edu
Contact: STEVE SCOTT
Position: CLAY TARGET CLUB CONTACT
Phone: (615) 804-8459
Email: sscott@mtsu.edu
Contact: LAUREN SMITH
Position: CLAY TARGET CLUB CONTACT
Phone: (615) 512-6454
Email: lms3q@mtsu.edu
Contact: JOHN KELTON
Position: CLAY TARGET CLUB CONTACT
Email: jkk2m@mtsu.edu

MIDDLE TENNESSEE STATE UNIVERSITY

1301 EAST MAIN STREET, MURFREESBORO, TN 37132

Details

Disciplines: Air Rifle, SB Rifle, Skeet, Trap, ROTC, Outdoor Range, Indoor Range

Scholarship Available: Yes

Equipment Provided: Yes

Intercollegiate: Yes

Comments: Army ROTC Education/ Individual SB and Air Competition via ROTC Weapons Team and Range Challenge Team competitions. Scholarships Available: Army ROTC scholarships (only) Website: www.mtsu.edu/aROTC. New: Clay Target Club of MTSU - The Clay Target Club of MTSU is a club dedicated to the promotion of the shooting sports on the collegiate level. Our goal is to generate competitions among TN universities and surrounding states in the hope that we can put MTSU on the map in the clay target arena. If you like the challenge of busting clay targets, then we have the club for you. If you would like to learn to shoot trap, skeet, sporting clays or any of the clays target sports, we can help you. If you have a competitive spirit and would like to shoot against Kentucky, UT Martin, and other collegiate teams, then you're looking in the right direction. We are a part of the fastest growing sport in the country, and you can be too!

Contact

Contact:

Position: ARMY ROTC UNIT

Phone: (615) 898-2470

Fax: (615) 898-2065

Email: aROTC@mtsu.edu

Contact: STEVE SCOTT

Position: CLAY TARGET CLUB CONTACT

Phone: (615) 804-8459

Email: sscott@mtsu.edu

Contact: LAUREN SMITH

Position: CLAY TARGET CLUB CONTACT

Phone: (615) 512-6454

Email: lms3q@mtsu.edu

Contact: JOHN KELTON

Position: CLAY TARGET CLUB CONTACT

Email: jkk2m@mtsu.edu

MINNESOTA STATE UNIVERSITY-MANKATO

DEPT OF MILITARY SCIENCE & LEADERSHIP, Wiecking Center 316 MANKATO, MN 56001

Details

Disciplines: SB Rifle, Pistol, ROTC

Equipment Provided: Yes

Comments: EDUCATION ONLY; <http://ed/mnsu.edu/armyROTC>

Contact

Contact: JOEL STEPHENSON

Position: ARMY ROTC OFFICER

Phone: (507) 389-6229

Email: military-science@mnsu.edu

MISSOURI STATE UNIVERSITY

ARMY ROTC - DEPARTMENT OF MILITARY SCIENCE, FRUEDENBERGER HALL 901 SOUTH NATIONAL AVENUE
SPRINGFIELD, MO 65897

Details

Disciplines: SB Rifle, Pistol, Shotgun, Skeet, Trap, ROTC, Club Sport, Indoor Range

Equipment Provided: Yes

Intercollegiate: Yes

Comments: Mr. Dan Winkler teaches the pistol and SB rifle marksmanship classes. Dr. Jon Wiggins coaches the trap and skeet team.

Contact

Contact: JON WIGGINS

Position: ADVISOR - TRAP & SKEET

Phone: (417) 836-8824

Fax: (417) 836-6979

Email: jwiggins@missouristate.edu

Contact: DOUG SCHENCK

Position: AROTC ENROLLMENT OFFICE

Phone: (417) 836-5791

Fax: (417) 365-5792

Email: dschenck@missouristate.edu

Contact: KEVIN D LEE

Position: PRESIDENT- TRAP & SKEET

Phone: (417) 467-4752

Email: kevin243@missouristate.edu

MOREHEAD STATE UNIVERSITY

ACADEMIC ATHLETIC COMPLEX, MOREHEAD, KY 40351

Details

Disciplines: Air Rifle, SB Rifle, ROTC, NCAA, Varsity, Indoor Range

Scholarship Available: Yes

Equipment Provided: Yes

Intercollegiate: Yes

Comments: Co-Ed Rifle Team - Varsity Sport Member, Ohio Valley Conference (OVC) and Western Intercollegiate Rifle Conference (WIRC) Army ROTC Program

Contact

Contact: ALAN JOSEPH

Position: HEAD COACH - RIFLE

Phone: (606) 783-2289

Email: a.joseph@moreheadstate.edu

Contact:

Position: ARMY ROTC UNIT

Phone: (606) 783-2050

Fax: (606) 783-5053

Email: co.flannery@morehead-st.edu

MURRAY STATE UNIVERSITY

MS ATHLETICS, 217 STEWART STADIUM MURRAY, KY 42071

Details

Disciplines: Air Rifle, SB Rifle, NCAA, Varsity, Indoor Range
Scholarship Available: Yes
Equipment Provided: Yes
Intercollegiate: Yes
Comments: 10M Air Gun Range www.goracers.com

Contact

Contact: ALAN LOLLAR
Position: HEAD COACH - RIFLE
Phone: (270) 809-6858
Email: alan.lollar@murraystate.edu

NEW MEXICO INSTITUTE OF MINING & TECHNOLOGY

801 LEROY PLACE, SOCORRO, NM 87801

Details

Disciplines: Air Rifle, SB Rifle, Pistol, Club Sport
Equipment Provided: Yes
Intercollegiate: Yes
Comments: Reloading and High Power also offered.

Contact

Contact: VIRGINIA McLEMORE
Position: RIFLE COACH
Phone: (575) 835-5521
Email: ginger@nmbg.nmt.edu

NEW MEXICO MILITARY INSTITUTE

MILITARY SCIENCE DEPARTMENT, 101 W COLLEGE BOULEVARD ROSWELL, NM 88201

Details

Disciplines: Air Rifle, SB Rifle, ROTC, Varsity, Outdoor Range, Indoor Range
Equipment Provided: Yes
Intercollegiate: Yes

Contact

Contact: JASON GARCIA
Position: ARMY ROTC UNIT
Phone: (575) 624-8292
Email: jgarcia@nmmi.edu
Contact: HUGH HAMBRIC
Position: RIFLE COACH
Phone: (575) 626-8927
Email: hambric@nmmi.edu

NORTH GEORGIA COLLEGE & STATE UNIVERSITY

172 MILITARY LEADERSHIP CENTER, 82 COLLEGE CIRCLE DAHLONEGA, GA 30597

Details

Disciplines: Air Rifle, SB Rifle, Pistol, ROTC, NCAA, Varsity, Club Sport, Indoor Range

Scholarship Available: Yes

Equipment Provided: Yes

Intercollegiate: Yes

Comments: The NGCSU Shooting Sports Program includes two disciplines: Intercollegiate Rifle and Service Rifle & Pistol. The Intercollegiate Rifle Team is a division II NCAA Varsity team and a member of the South Eastern Air Rifle Conference (SEARC). The team competes in both the Air and Smallbore Rifle disciplines and has scholarships available to well-qualified athletes. The NGCSU Service Shooting team competes in many US Army (ROTC only) matches and various other Open matches. The team competes with service arms including the M-16 and M-9, among others. On campus 10-point indoor range for international rifle and pistol (air and .22) and several off campus outdoor ranges for all disciplines. Intercollegiate NRA and USAS competitions.

Website: http://www.northgeorgia.edu/Cadet_Admissions/Programs/Organizations/Shooting_Sports.aspx www.saintssports.com Website: http://apache.northgeorgia.edu/cadetadmissions/cadet_organizations/co_rifleteam.htm

Contact

Contact: TIMOTHY FOSTER

Position: SERVICE RIFLE & PISTOL

Email: tafooster@northgeorgia.edu

Contact: TORI KOSTECKI

Position: HEAD COACH-INTCOLL.RIFLE

Phone: (706) 867-4500

Email: tkostecki@northgeorgia.edu

NORTHERN ILLINOIS UNIVERSITY

DEPARTMENT OF MILITARY SCIENCE, DEKALB, IL 60115

Details

Disciplines: SB Rifle, ROTC, Indoor Range

Equipment Provided: Yes

Intercollegiate: Yes

Comments: www.armyROTC.com/edu/northernil Education only; range off campus.

Contact

Contact: ERIC WEYENBERG

Position: ASSISTANT PROFESSOR

Phone: (815) 753-6234

Fax: (815) 753-0575

Email: ROTC@niu.edu; weyenberg@niu.edu

NORTHERNWESTERN STATE UNIVERSITY OF LOUISIANA

MILITARY SCIENCE DEPARTMENT, NOE HALL, CASPARI STREET NATCHITOCHE, LA 71498-0929

Details

Disciplines: SB Rifle, Pistol, ROTC, Outdoor Range

Equipment Provided: Yes

Comments: Off campus range. www.armyROTC.edu/northwesternstatela

Contact

Contact: ALAN HARDIN
Position: BATTALION XO
Phone: (318) 357-5177
Fax: (318) 357-6520
Email: hardina@nsula.edu

OREGON STATE UNIVERSITY

RECREATIONAL SPORTS, DIXON RECREATION CENTER CORVALLIS, OR 97331-3748

Details

Disciplines: SB Rifle, Pistol, ROTC, Club Sport, Indoor Range
Equipment Provided: Yes
Intercollegiate: Yes
Comments: Willamette Valley Rifle League. Willamette Valley Pistol League. Navy ROTC.
www.osurifle.com. <http://groups.oregonstate.edu/pistol/>

Contact

Contact:
Position: NAVAL ROTC UNIT
Phone: (541) 737-6289
Email: nROTC.admin@oregonstate.edu
Contact:
Position: PISTOL CLUB OFFICE
Phone: (541) 737-4083
Email: pistol@oregonstate.edu
Contact:
Position: RIFLE CLUB OFFICE
Phone: (541) 737-4083
Email: rifle@oregonstate.edu

PENNSYLVANIA STATE UNIV-UNIVERSITY PARK

ATTN: RIFLE TEAM - CLUB SPORTS, 146 WHITE BUILDING ROOM 33 UNIVERSITY PARK, PA 16802

Details

Disciplines: Air Rifle, SB Rifle, Pistol, ROTC, Club Sport, Indoor Range
Scholarship Available: Yes
Equipment Provided: Yes
Intercollegiate: Yes
Comments: The PSU Rifle Team is a co-ed club sport that strives to educate individuals about the safe handling of precision air rifles and .22 smallbore rifles, as well as advise shooters of scholastic opportunities, training, and competitions available to them at Penn State. The club provides equipment to members. Rifle Club Team
Website: <http://php.scripts.psu.edu/clubs/up/rifleteam/Home/Homepage.php> Non NCAA-affiliated member of the Mid-Atlantic Rifle Conference (MAC) PSU-NLB Army ROTC program offers marksmanship and weapons training as well as participation in Ranger Challenge Team Competition. The Rifle Team (RT) is an interactive, fun way for PSU-NLB cadets to hone their marksmanship skills. The RT shoots competitive smallbore as well as practice on a real-life military marksmanship simulator – the Engagement Skills Trainer. Website: <http://www.psu.edu/dept/armyROTC/> ROTC scholarships are available.

Contact

Contact: RYAN GUFFEY
Position: PRESIDENT-RIFLE CLUB TEAM
Phone: (814) 865-9202
Fax: (814) 863-2851
Email: rjg5056@psu.edu
Contact: MATTHEW B HOOVER
Position: ROTC ENROLLMENT OFFICER
Phone: (814) 863-0368
Email: mbh171@psu.edu
Contact: GIB MOYER
Position: COACH/ADVISOR-RIFLE TEAM
Phone: (814) 865-9202
Fax: (814) 863-2851
Email: gem14@email.psu.edu
Contact: JOHN TOMSHO
Position: COACH - RIFLE TEAM
Phone: (814) 865-9202
Fax: (814) 863-2851
Email: jwt11@psu.edu
Contact: DALE TITUS
Position: COACH - AROTC RIFLE TEAM
Phone: (866) 558-3513
Email: dnt2@psu.edu

PLYMOUTH STATE UNIVERSITY

17 HIGH STREET, MSC 54 PLYMOUTH, NH 03264

Details

Disciplines: Air Rifle, SB Rifle, Club Sport

Equipment Provided: Yes

Intercollegiate: Yes

Comments: Plymouth State Shooting Association PSSA is a Sports Club of Plymouth State University. The club is partnered with the Pemigewasset Valley Fish and Game Club. The club also participates in 3-Gun activities. Competing in SASP.

Contact

Contact: JEREMY FRITZ
Position: DIRECTOR OF REC PROGRAMS
Phone: (603) 535-2956
Email: jfritz@plymouth.edu
Contact: TRENT BOGGES
Position: FACULTY ADVISOR
Phone: (603) 535-2472
Email: trentb@plymouth.edu

PRINCETON UNIVERSITY

DEPARTMENT OF ATHLETICS, 103 DILLON GYM PRINCETON, NJ 08544

Details

Disciplines: SB Rifle, Club Sport, Indoor Range

Equipment Provided: Yes

Intercollegiate: Yes

Comments: Non-NCAA Affiliated Member, Mid-Atlantic Rifle Conference (MAC)

Contact

Contact: JOE SUNDRRA

Position: HEAD COACH - RIFLE

Phone: (609) 258-6257

Email: jsundra@gmail.com

PURDUE UNIVERSITY

DIVISION OF RECREATIONAL SPORTS, 355 N. INTRAMURAL DRIVE WEST LAFAYETTE, IN 47907

Details

Disciplines: Air Rifle, SB Rifle, Pistol, Shotgun, Skeet, Trap, ROTC, Club Sport, Indoor Range

Equipment Provided: Yes

Intercollegiate: Yes

Comments: Rifle & Pistol Club Website: <http://web.ics.purdue.edu/~gunclub/blog/index.php> The Purdue Rifle and Pistol Club is a student-run club sport organization dedicated to promoting interest in shooting sports at Purdue. The custodians of a long and proud tradition of Purdue marksmanship, our history began in the late 1800's with the formation of the Purdue Rifles.

Membership is open to all current Purdue University students. Trap & Skeet Club

Website: <http://web.ics.purdue.edu/~putrap/> Army ROTC Website: www.purdue.edu/armyROTC Shotgun fields, two (2) trap, two (2) skeet.

Contact

Contact: KEITH ADAMS

Position: COACH - RIFLE & PISTOL

Phone: (765) 494-0740

Email: ktadams@purdue.edu

Contact: DION BATES

Position: ARMY ROTC UNIT

Phone: (765) 494-2099

Email: armyROTC@purdue.edu OR jdbates@purdue.edu

Contact: DARREN COOPER

Position: ADVISOR - RIFLE & PISTOL

Phone: (765) 494-2734

Email: dpcooper@purdue.edu

Contact: LEIF WILLEY

Position: TRAP & SKEET TEAM CONTACT

Email: willey@purdue.edu

PURDUE UNIVERSITY

DIVISION OF RECREATIONAL SPORTS, 355 N. INTRAMURAL DRIVE WEST LAFAYETTE, IN 47907

Details

Disciplines: Air Rifle, SB Rifle, Pistol, Shotgun, Skeet, Trap, ROTC, Club Sport, Indoor Range

Equipment Provided: Yes

Intercollegiate: Yes

Comments: Rifle & Pistol Club Website: <http://web.ics.purdue.edu/~gunclub/blog/index.php> The Purdue Rifle and Pistol Club is a student-run club sport organization dedicated to promoting interest in shooting sports at Purdue. The custodians of a long and proud tradition of Purdue marksmanship, our history began in the late 1800's with the formation of the Purdue Rifles.

Membership is open to all current Purdue University students. Trap & Skeet Club

Website: <http://web.ics.purdue.edu/~putrap/> Army ROTC Website: www.purdue.edu/armyROTC Shotgun fields, two (2) trap, two (2) skeet.

Contact

Contact: KEITH ADAMS
Position: COACH - RIFLE & PISTOL
Phone: (765) 494-0740
Email: ktadams@purdue.edu
Contact: DION BATES
Position: ARMY ROTC UNIT
Phone: (765) 494-2099
Email: armyROTC@purdue.edu OR jdbates@purdue.edu
Contact: DARREN COOPER
Position: ADVISOR - RIFLE & PISTOL
Phone: (765) 494-2734
Email: dpcooper@purdue.edu
Contact: LEIF WILLEY
Position: TRAP & SKEET TEAM CONTACT
Email: lwilley@purdue.edu

ROSE-HULMAN INSTITUTE OF TECHNOLOGY

DEPARTMENT OF ATHLETICS, 5500 WABASH AVENUE TERRE HAUTE, IN 47803-3999

Details

Disciplines: Air Rifle, SB Rifle, NCAA, Varsity, Indoor Range
Equipment Provided: Yes
Intercollegiate: Yes
Comments: 10-point shooting range on campus.

Contact

Contact: JASON LABELLA
Position: HEAD COACH - RIFLE
Phone: (812) 877-8881
Fax: (812) 877-8407
Email: labelljp@rose-hulman.edu
Contact:
Position: ON CAMPUS SHOOTING RANGE
Phone: (812) 877-8881
Contact: MICHAEL RAY
Position: ASST. COACH - RIFLE
Phone: (812) 234-4372
Fax: (812) 877-8407
Email: michael.ray@rose-hulman.edu

SAVANNAH ST U-ARMSTRONG ATLANTIC STATE U

MILITARY SCIENCE DEPARTMENT, 11935 ABERCORN STREET ARMSTRONG CENTER SUITE 13 SAVANNAH, GA 31419

Details

Disciplines: SB Rifle, Pistol, ROTC
Scholarship Available: Yes

Equipment Provided: Yes

Comments: Website: www.ROTC.armstrong.edu Website: www.savannahstate.edu/nROTC Scholarships available through ROTC programs at Armstrong Atlantic and Savannah State

Contact

Contact: MARION JOHNSON JR

Position: ARMY ROTC UNIT

Phone: (912) 344-2573

Fax: (912) 344-3486

Email: army.ROTC@armstrong.edu

Contact:

Position: NAVAL ROTC UNIT

Phone: (912) 356-2206

Fax: (912) 353-3074

Email: nROTC@savannahstate.edu

[SOUTH DAKOTA STATE UNIVERSITY](#)

MILITARY SCIENCE DEPARTMENT ROTC, SDSU ROTC ARMORY BOX 2236 BROOKINGS, SD 57007

Details

Disciplines: Air Rifle, SB Rifle, Pistol, ROTC, Club Sport, Indoor Range

Equipment Provided: Yes

Intercollegiate: Yes

Comments: ROTC Ranger Challenge Team Competition

Contact

Contact:

Position: ARMY ROTC UNIT

Phone: (605) 688-6642

Fax: (605) 688-6372

Email: garnet.wosje@sdststate.edu

[SOUTHERN WEST VIRGINIA COMMUNITY COLLEGE](#)

LOGAN CAMPUS - P.O. BOX 2900, 2900 DEMPSEY BRANCH ROAD MOUNT GAY, WV 25637

Details

Disciplines: Air Rifle, SB Rifle, Pistol, Shotgun

Equipment Provided: Yes

Comments: Education Only - Pistol and Personal Protection Course through Criminal Justice Department This course is open to all people but is of special interest to those considering a career in law enforcement, corrections, security, or private investigation. This course will teach the basic attitudes, knowledge, and skills necessary to own, store, and use a firearm safely. The primary focus is handgun safety and the legal provisions, moral aspects, physical, and legal issues inherent in the philosophy of the use of deadly force will be addressed.

Contact

Contact:

Position: CRIMINAL JUSTICE DEPT

Phone: (304) 792-7098

Fax: (304) 792-7028

[SOUTHERN WEST VIRGINIA COMMUNITY COLLEGE](#)

WILLIAMSON CAMPUS, 1601 ARMORY DRIVE WILLIAMSON, WV 25661

Details

Disciplines: Air Rifle, SB Rifle, Pistol, Shotgun

Equipment Provided: Yes

Comments: Education Only - Pistol and Personal Protection Course through Criminal Justice Department This course is open to all people but is of special interest to those considering a career in law enforcement, corrections, security, or private investigation. This course will teach the basic attitudes, knowledge, and skills necessary to own, store, and use a firearm safely. The primary focus is handgun safety and the legal provisions, moral aspects, physical, and legal issues inherent in the philosophy of the use of deadly force will be addressed.

Contact

Contact:

Position: CRIMINAL JUSTICE DEPT

Phone: (304) 235-6046

Fax: (304) 235-6042

[SOUTHERN WEST VIRGINIA COMMUNITY COLLEGE](#)

WYOMING/MCDOWELL CAMPUS, HC 89 P.O. BOZX 423 MCGRAWS, WV 24875

Details

Disciplines: Air Rifle, SB Rifle, Pistol, Shotgun

Equipment Provided: Yes

Comments: Education Only - Pistol and Personal Protection Course through Criminal Justice Department This course is open to all people but is of special interest to those considering a career in law enforcement, corrections, security, or private investigation. This course will teach the basic attitudes, knowledge, and skills necessary to own, store, and use a firearm safely. The primary focus is handgun safety and the legal provisions, moral aspects, physical, and legal issues inherent in the philosophy of the use of deadly force will be addressed.

Contact

Contact:

Position: CRIMINAL JUSTICE DEPT

Phone: (304) 294-8346

Fax: (304) 294-8534

[STATE UNIVERSITY OF NY-MARITIME COLLEGE](#)

ATHLETICS DEPARTMENT - RIESENBERG HALL, 6 PENNYFIELD AVENUE THROGS NECK, NY 10465

Details

Disciplines: Air Rifle, SB Rifle, NCAA, Varsity, Club Sport, Indoor Range

Equipment Provided: Yes

Intercollegiate: Yes

Comments: NCAA-affiliated member, Mid-Atlantic Rifle Conference (MAC); 2009 MAC Champions.

Contact

Contact: ARMANDO QUINTANILLA

Position: RIFLE COACH

Phone: (718) 409-7463
Fax: (718) 409-7404
Email: AQUINTANILLA@SUNYMARITIME.EDU
Contact:
Position: ATHLETIC DEPARTMENT
Phone: (718) 409-7331

SYRACUSE UNIVERSITY

SU ARMY ROTC - MILITARY SCIENCE DEPARTMENT, 308 ARCHBOLD GYM SYRACUSE, NY 13244-1440

Details

Disciplines: Strife, ROTC, Indoor Range
Equipment Provided: Yes
Comments: www.armyROTC.wyr.edu

Contact

Contact: EARL SCHAERTL
Position: SY ARMY ROTC
Phone: (315) 443-2462
Fax: (315) 443-1742
Email: armyROTC@syr.edu

TARLETON STATE UNIVERSITY

RIFLE TEAM, PO BOX T-0665 STEPHENVILLE, TX 76401-0665

Details

Disciplines: SB Rifle, ROTC, Club Sport
Scholarship Available: Yes
Equipment Provided: Yes
Intercollegiate: Yes

Comments: The Rifle Team - Tarleton State University is a non-profit, student run organization whose mission is to encourage and promote the safe and responsible use of firearms, continue the American tradition of rifle marksmanship, and provide educational, recreational, competitive and leadership opportunities to all interested students. The Rifle Team competes against civilian and military teams in local, regional, and national matches.

Website: <http://collegehighpower.org/> The Rifle Team practices at Tac Pro Shooting Center, which is located seventeen miles North of Stephenville on Highway 108. Visit www.tacproshootingcenter.com. Rifle Team Affiliations Civilian Marksmanship Program (CMP) National Rifle Association (NRA) Texas State Rifle Association (TSRA) Stephenville Chamber of Commerce Additional marksmanship and weapons training available through the Tarleton Army ROTC program. ROTC participates in Ranger Challenge Team competitions. Scholarships are available through ROTC.

Website: <http://www.tarleton.edu/~ROTC/> Please note: The ROTC and the University Rifle Team are not affiliated with one another.

Contact

Contact: DANIEL THIEBAUD
Position: ROTC RECRUITING OFFICER
Phone: (254) 968-9188
Fax: (254) 968-9596
Email: dthiebaud@tarleton.edu
Contact: GEORGE EICHENBERG
Position: ADVICE/COACH-RIFLE TEAM
Phone: (254) 968-9031

Email: eichenberg@tarleton.edu
Contact: ROBERT MANGLEBERGER
Position: PRESIDENT- RIFLE TEAM
Phone: (830) 591-3054
Email: tsu_rifle_team@yahoo.com

TEXAS A & M UNIVERSITY-KINGSVILLE
MILITARY SCIENCE DEPARTMENT, CAMPUS BOX 204 KINGSVILLE, TX 78363

Details

Disciplines: Air Rifle, SB Rifle, Pistol, ROTC
Scholarship Available: Yes
Equipment Provided: Yes
Comments: Marksmanship and weapons training through the Army ROTC program and the Military Science Department. ROTC participates in Ranger Challenge Team competitions. Scholarships are available through the ROTC.
Website: <http://www.tamukROTC.com/default.aspx>

Contact

Contact: MICHELLE HINJOSA
Position: ROTC ENROLLMENT OFFICER
Phone: (361) 593-3201
Email: ROTC@tamuk.edu

TEXAS CHRISTIAN UNIVERSITY
DEPARTMENT OF INTERCOLLEGIATE ATHLETICS, PO BOX 297600 FT WORTH, TX 76129

Details

Disciplines: Air Rifle, SB Rifle, ROTC, NCAA, Varsity, Indoor Range
Scholarship Available: Yes
Equipment Provided: Yes
Intercollegiate: Yes
Comments: Nationally ranked Women's NCAA Rifle Team. Website: <http://gofrogs.cstv.com/sports/c-rifle/tcu-c-rifle-body.html> TCU Rifle Range - features multiple shooting lanes as well as the latest technology in targeting systems in the Megalink Electronic Targeting System, allowing athletes to now have access to their shot information instantly. The range also offers each shooter a locker as well as a lobby and office spaces for the TCU coaching staff. Marksmanship and weapons training available through TCU Army ROTC Program and Department of Military Science.
Website: <http://www.army.tcu.edu/home.asp>

Contact

Contact: KAREN MONEZ
Position: HEAD COACH - RIFLE
Phone: (817) 257-5258
Fax: (817) 257-7346
Email: k.monez@tcu.edu
Contact:
Position: ROTC ENROLLMENT OFFICER
Phone: (817) 257-7455
Fax: (817) 257-6461
Email: army@tcu.edu

TEXAS TECHNOLOGICAL UNIVERSITY

DEPARTMENT OF MILITARY SCIENCE, PO BOX 45003 LUBBOCK, TX 79409

Details

Disciplines: SB Rifle, ROTC

Equipment Provided: Yes

Comments: Education only - marksmanship and weapons training through Texas Tech Army ROTC program and Department of Military Science. TT Army ROTC participates in Range Challenge team competitions. ROTC scholarships are available. ROTC Website: <http://armyROTC.ba.ttu.edu/>

Contact

Contact:

Position: ARMY ROTC UNIT

Phone: (806) 742-2141

Fax: (806) 742-1144

Email: armyROTC@ba.ttu.edu

THE CITADEL

DEAS HALL, 171 MOULTRIE STREET CHARLESTON, SC 29409-6150

Details

Disciplines: Air Rifle, SB Rifle, Pistol, ROTC, NCAA, Varsity, Club Sport, Indoor Range

Scholarship Available: Yes

Equipment Provided: Yes

Intercollegiate: Yes

Comments: Member, South Eastern Air Rifle Conference (SEARC) Men's and Women's NCCA Varsity Rifle Team
Website: www.citadelsports.com *Scholarships available for rifle only* Pistol Club Sport - Membership open to Citadel cadets, MECEPs, and Naval Officer Candidates. Membership is by invitation only, i.e., via tryout. Dues \$80 for the year, or \$50 each semester. These dues are not QM'able. Dues will not be prorated. Participates in USAS/NRA Competitions. Vice President: Caleb Knowlton (knowltonw1@citadel.edu) President: Garland Moore (mooreg3@citadel.edu)

Contact

Contact: WILLIAM C SMITH

Position: HEAD COACH - RIFLE

Phone: (843) 953-3129

Fax: (843) 769-4502

Email: rifle@citadel.edu

Contact: JOEL SEXTON

Position: COACH & ADVISOR - PISTOL

Phone: (803) 924-7187

Fax: (843) 953-6798

Email: sexton.joel@gmail.com

Contact: MARY ELLEN HUDDLESTON

Position: DIRECTOR - CLUB SPORTS

Phone: (843) 953-7778

Email: mary.huddleston@citadel.edu

Contact: JOSEY STERN

Position: VICE PRESIDENT - PISTOL

Phone: (646) 721-0507

Email: sternjl@citadel.edu

Contact: HENRY DOMINICK

Position: PRESIDENT - PISTOL

Phone: (803) 271-2878
Email: dominickhl@citadel.edu

THE OHIO STATE UNIVERSITY

041 CONVERSE HALL, 2121 TUTTLE PARK PLACE COLUMBUS, OH 43210-1169

Details

Disciplines: Air Rifle, SB Rifle, Pistol, Shotgun, ROTC, NCAA, Varsity, Club Sport, Indoor Range

Equipment Provided: Yes

Intercollegiate: Yes

Comments: The Varsity Rifle Team is a member of the Western Intercollegiate Rifle Conference (WIRC) and NCAA-affiliated member of the Mid Atlantic Rifle Conference (MAC); the Athletic Department sponsors a co-ed Varsity Pistol Team and in addition Rifle and Pistol Clubs are available. Visit the Athletic Department at www.osu.edu and click on Rifle or Pistol.

Contact

Contact: RYAN TANOUE

Position: HEAD COACH - RIFLE

Phone: (614) 292-3783

Fax: (614) 292-9144

Email: tanouer@buckeyes.ath.ohio-state.edu

Contact: JAMES SWEENEY

Position: HEAD COACH - PISTOL

Phone: (614) 292-3783

Fax: (614) 292-0506

Email: sweeney.6@osu.edu

Contact:

Position: ROTC DEPARTMENT

Phone: (614) 292-6075

Contact: DONNA KNISLEY

Position: ASSISTANT COACH - PISTOL

Phone: (614) 292-3783

Fax: (614) 292-0506

Email: knisley.2@osu.edu

Trap Shooting Colleges

CAMERON UNIVERSITY

DEPARTMENT OF HEALTH & PHYSICAL EDUCATION, 28 WEST GORE BLVD. SOUTH SHELPLER RM 108 LAWTON, OK 73501

Details

Disciplines: Air Rifle, SB Rifle, Pistol, Shotgun, Skeet, Trap, Club Sport, Indoor Range

Equipment Provided: Yes

Comments: Education only - Riflery (safety and marksmanship) course plus recreational activities (shooting sports.)

Contact

Contact: JAMES HELVEY

Position: HEALTH & PE FACULTY

Phone: (580) 581-2354

Fax: (580) 581-5537

Email: jameshel@cameron.edu

COLBY COMMUNITY COLLEGE

1255 S RANGE AVENUE, COLBY, KS 67701-4007

Details

Disciplines: Shotgun, Trap

Equipment Provided: Yes

Comments: Education Only - Trap Shooting and Weapons Safety offered as Physical Education (PE) Skill courses.

Contact

Contact:

Position: MAIN OFFICE CONTACT

Phone: (785) 462-3984

COLORADO STATE UNIVERSITY

RECREATIONAL SPORTS DEPARTMENT, FORT COLLINS, CO 80523-1171

Details

Disciplines: Shotgun, Skeet, Trap, Club Sport

Equipment Provided: Yes

Intercollegiate: Yes

Comments: Trap and Skeet Program for men and women. www.csushotgunsports.com

Contact

Contact: AARON HARRIS

Position: SHOTGUN SPORTS CONTACT

Phone: (970) 491-2116

Email: clubspts@colostate.edu

Contact: MARK ENNS

Position: FACULTY ADVISOR

Phone: (970) 521-6820

Fax: (970) 491-5326

Email: mark.enns@colostate.edu

DELTA STATE UNIVERSITY

1003 WEST SUNFLOWER ROAD, CLEVELAND, MS 38733

Details

Disciplines: Air Rifle, SB Rifle, Pistol, Shotgun, Skeet, Trap, Indoor Range

Equipment Provided: Yes

Comments: Shooting sports - Intramurals only

Contact

Contact: RONNIE MAYERS

Position: R/P INSTRUCTOR

Phone: (662) 846-4730

Email: rmayers@deltastate.edu

EASTERN KENTUCKY UNIVERSITY

EKU CAMPUS RECREATION, 521 LANCASTER AVENUE 105 SRC RICHMOND, KY 40475

Details

Disciplines: Shotgun, Skeet, Trap

Equipment Provided: Yes

Intercollegiate: Yes

Comments: Skeet and Trap Club

Contact

Contact: NATE HANSEL

Position: SKEET & TRAP CONTACT

Phone: (859) 622-1244

Fax: (859) 622-6754

Email: nathan_hansel@eku.edu

ECCLESIA COLLEGE

9653 NATIONS DRIVE, SPRINGDALE, AR 72762

Details

Disciplines: Shotgun, Trap

Equipment Provided: Yes

Intercollegiate: Yes

Comments: www.ecollege.edu

Contact

Contact: JESSE E WADKINS

Position: TEAM COACH

Phone: (479) 248-7236

Email: jwadkins@ecollege.edu

EMMANUEL COLLEGE

181 SPRING STREET, PO BOX 129 FRANKLIN SPRINGS, GA 30639

Details

Disciplines: Shotgun, Skeet, Trap

Scholarship Available: Yes

Equipment Provided: Yes

Intercollegiate: Yes

Comments: Sporting Clays. www.geoclions.com

Contact

Contact: CHARLES CAWTHON

Position: HEAD COACH

Phone: (706) 491-9432

Email: ccawthon@ec.edu

FERRUM COLLEGE

SUMMIT SPRINGS INC., 12991 FRANKLIN STREET FERRUM, VA 24088

Details

Disciplines: Shotgun, Skeet, Trap, Club Sport

Equipment Provided: Yes

Intercollegiate: Yes

Comments: This club can provide a beginner a place to learn basic shotgun handling, while also provide the experienced shooter a place to improve and compete. A broad goal of the club is to spread firearm awareness and appreciation to peoples that fear, misuse, or abuse firearms. If you would like more information please visit our Facebook page: <https://www.facebook.com/groups/768794139804974>

Contact

Contact: JULIE BECKER

Position: COACH

Phone: (540) 365-3119

Email: summitspringsshootingsports@cox.net

Contact: JONATHAN MAYO

Position: CLUB FOUNDER

Phone: (540) 476-0022

Email: jmayo@ferrum.edu

FORT HAYS STATE UNIVERSITY

c/o DR. DUANE SHEPHERD, 600 PARK STREET HAYS, KS 67601-4099

Details

Disciplines: Shotgun, Skeet, Trap

Equipment Provided: Yes

Intercollegiate: Yes

Comments: The Shooting Sports Club provides a venue for participation in shooting sports to any/all students/faculty at FHSU. Members are afforded opportunities for skill acquisition that can be employed in recreation/leisure and/or competitive activity. The club Website is: <http://www.fhsu.edu/hhp/shootingsports>.

Contact

Contact: DUANE SHEPHERD

Position: ASSOCIATE PROFESSOR

Phone: (785) 628-4374

Email: dlshepherd@fhsu.edu

GARDEN CITY COMMUNITY COLLEGE

801 CAMPUS DRIVE, GARDEN CITY, KS 67846

Details

Disciplines: SB Rifle, Pistol, Shotgun, Trap, Outdoor Range

Equipment Provided: Yes

Comments: Education Only - Recreational Shooting course offered in the Fall term. Hunter's Education Card is required.

Contact

Contact: DOYLE MCGRAW
Position: FACULTY
Phone: (316) 276-9614
Fax: (316) 276-9646
Email: doyle.mcgraw@gcccks.edu

GEORGE MASON UNIVERSITY

STUDENT ACTIVITIES SUB 1 ROOM 101, 4400 UNIVERSITY DR MAIL STOP 2D6 FAIRFAX, VA 22030

Details

Disciplines: Shotgun, Skeet, Trap, Club Sport
Equipment Provided: Yes
Intercollegiate: Yes
Comments: Trap and skeet are co-ed varsity club sports.

Contact

Contact: GARY OLIN
Position: COACH - TRAP & SKEET
Phone: (703) 993-3939
Fax: (703) 993-3933
Email: vgolin@msn.com

HILLSDALE COLLEGE

JOHN HALTER SHOOTING SPORTS EDUCATION CENTER, 4390 BANKERS RD HILLSDALE, MI 49242

Details

Disciplines: Air Rifle, SB Rifle, Pistol, Shotgun, Skeet, Trap
Scholarship Available: Yes
Equipment Provided: Yes
Intercollegiate: Yes
Comments: Hillsdale College is building one of the finest shooting programs in the country, thanks to the support of those that value our freedom and shooting heritage. Classes for students include Intro to Shooting Sports, NRA Home Firearms Safety Course, and First Steps Pistol, Rifle, and Shotgun. There are also Basic Pistol, Basic Rifle and Basic Shotgun classes available. Archery programs began Fall 2015. Competitive and Recreational disciplines are: American Trap and Skeet, International Skeet, Bunker Trap, Sporting Clays, Air Pistol, .22 Pistol, Air Rifle and .22 Rifle. The Shotgun Team is currently successful and active. Teams for the other disciplines will follow in coming years.

Contact

Contact:
Position: PHYSICAL EDUCATION DEPT
Phone: (517) 437-7341
Fax: (517) 437-3923
Contact: BART SPIETH
Position: SHOOTING SPORTS CRDTR
Phone: (517) 610-5593
Email: bspieth@hillsdale.edu

IOWA STATE UNIVERSITY

RIFLE & PISTOL CLUB, RM 55 ARMORY AMES, IA 50011

Details

Disciplines: SB Rifle, Pistol, Shotgun, Skeet, Trap, ROTC, Club Sport

Equipment Provided: Yes

Intercollegiate: Yes

Contact

Contact: DARIN VANRYSWYK

Position: R&P CLUB ADVISOR

Phone: (515) 294-4428

Email: dvan@iastate.edu

Contact:

Position: ROTC PROGRAM

Phone: (515) 294-6050

Fax: (515) 294-3788

Email: jsunROTC@iastate.edu

KANSAS STATE UNIVERSITY

TRAPSHOOTING CLUB, RSU - 109 A CALVIN HALL MANHATTAN, KS 66506

Details

Disciplines: Shotgun, Trap, Club Sport

Equipment Provided: Yes

Intercollegiate: Yes

Comments: Collegiate Trapshooting Club

Contact

Contact: SAM HANNI

Position: FACULTY ADVISOR

Phone: (620) 793-2407

Email: ksutrapclub@k-state.edu

LINDENWOOD UNIVERSITY

209 S. KINGS HIGHWAY, ST. CHARLES, MO 63301

Details

Disciplines: Shotgun, Skeet, Trap

Scholarship Available: Yes

Equipment Provided: Yes

Intercollegiate: Yes

Comments: Clay Target Shooting National Affiliated Co-Ed Sports team features American Skeet, International Trap, and Sporting Clays. For more information visit: <http://www.lindenwoodlions.com/index.aspx?tab=claytargetshooting&path=clay>

Contact

Contact: SHAWN DULOHERY

Position: HEAD COACH - SHOOTING

Phone: (636) 946-3181

Fax: (636) 946-3396

Email: sdulohery@lindenwood.edu

Contact: MIKE ELAM

Position: SHOOTING DIRECTOR

Phone: (636) 947-4947

Fax: (636) 949-4989

Email: melam@lindenwood.edu

Contact: MONIKA WILSON

Position: ASST COACH - SHOOTING

Phone: (636) 946-3181

Fax: (636) 946-3396

Email: mwilson@lindenwood.edu

LINDENWOOD UNIVERSITY

209 S. KINGS HIGHWAY, ST. CHARLES, MO 63301

Details

Disciplines: Shotgun, Skeet, Trap

Scholarship Available: Yes

Equipment Provided: Yes

Intercollegiate: Yes

Comments: Clay Target Shooting National Affiliated Co-Ed Sports team features American Skeet, International Trap, and Sporting Clays. For more information visit: <http://www.lindenwoodlions.com/index.aspx?tab=claytargetshooting&path=clay>

Contact

Contact: SHAWN DULOHERY

Position: HEAD COACH - SHOOTING

Phone: (636) 946-3181

Fax: (636) 946-3396

Email: sdulohery@lindenwood.edu

Contact: MIKE ELAM

Position: SHOOTING DIRECTOR

Phone: (636) 947-4947

Fax: (636) 949-4989

Email: melam@lindenwood.edu

Contact: MONIKA WILSON

Position: ASST COACH - SHOOTING

Phone: (636) 946-3181

Fax: (636) 946-3396

Email: mwilson@lindenwood.edu

LOUISIANA TECH UNIVERSITY

LA TECH SHOOTING SPORTS CLUB, 433 DOWNSVILLE ROAD DOWNSVILLE, LA 71234

Details

Disciplines: Shotgun, Trap, Club Sport

Equipment Provided: Yes

Comments: Off Campus Course: www.Wildwingsportingclub.com Sporting Clays, Wobble Trap, 5-Stand

Contact

Contact: JACE DUNCAN

Position: PRESIDENT

Phone: (225) 933-0380
Email: jld017@latech.edu
Contact: OTIS GILLEY
Position: FACULTY ADVISOR
Phone: (318) 257-4140
Email: gilley@latech.edu
Contact: WILDWINGS PRACTICE GROUNDS
Phone: (318) 982-5999

MIDDLE TENNESSEE STATE UNIVERSITY
1301 EAST MAIN STREET, MURFREESBORO, TN 37132

Details

Disciplines: Air Rifle, SB Rifle, Skeet, Trap, ROTC, Outdoor Range, Indoor Range
Scholarship Available: Yes
Equipment Provided: Yes
Intercollegiate: Yes
Comments: Army ROTC Education/ Individual SB and Air Competition via ROTC Weapons Team and Range Challenge Team competitions. Scholarships Available: Army ROTC scholarships (only) Website: www.mtsu.edu/aROTC. New: Clay Target Club of MTSU - The Clay Target Club of MTSU is a club dedicated to the promotion of the shooting sports on the collegiate level. Our goal is to generate competitions among TN universities and surrounding states in the hope that we can put MTSU on the map in the clay target arena. If you like the challenge of busting clay targets, then we have the club for you. If you would like to learn to shoot trap, skeet, sporting clays or any of the clays target sports, we can help you. If you have a competitive spirit and would like to shoot against Kentucky, UT Martin, and other collegiate teams, then you're looking in the right direction. We are a part of the fastest growing sport in the country, and you can be too!

Contact

Contact:
Position: ARMY ROTC UNIT
Phone: (615) 898-2470
Fax: (615) 898-2065
Email: aROTC@mtsu.edu
Contact: STEVE SCOTT
Position: CLAY TARGET CLUB CONTACT
Phone: (615) 804-8459
Email: sscott@mtsu.edu
Contact: LAUREN SMITH
Position: CLAY TARGET CLUB CONTACT
Phone: (615) 512-6454
Email: lms3q@mtsu.edu
Contact: JOHN KELTON
Position: CLAY TARGET CLUB CONTACT
Email: jkk2m@mtsu.edu

MISSOURI STATE UNIVERSITY
ARMY ROTC - DEPARTMENT OF MILITARY SCIENCE, FRUEDENBERGER HALL 901 SOUTH NATIONAL AVENUE
SPRINGFIELD, MO 65897

Details

Disciplines: SB Rifle, Pistol, Shotgun, Skeet, Trap, ROTC, Club Sport, Indoor Range
Equipment Provided: Yes
Intercollegiate: Yes

Comments: Mr. Dan Winkler teaches the pistol and SB rifle marksmanship classes. Dr. Jon Wiggins coaches the trap and skeet team.

Contact

Contact: JON WIGGINS
Position: ADVISOR - TRAP & SKEET
Phone: (417) 836-8824
Fax: (417) 836-6979
Email: jwiggins@missouristate.edu
Contact: DOUG SCHENCK
Position: AROTC ENROLLMENT OFFICE
Phone: (417) 836-5791
Fax: (417) 365-5792
Email: dschenck@missouristate.edu
Contact: KEVIN D LEE
Position: PRESIDENT- TRAP & SKEET
Phone: (417) 467-4752
Email: kevin243@missouristate.edu

MISSOURI STATE UNIVERSITY

ARMY ROTC - DEPARTMENT OF MILITARY SCIENCE, FRUEDENBERGER HALL 901 SOUTH NATIONAL AVENUE
SPRINGFIELD, MO 65897

Details

Disciplines: SB Rifle, Pistol, Shotgun, Skeet, Trap, ROTC, Club Sport, Indoor Range
Equipment Provided: Yes
Intercollegiate: Yes
Comments: Mr. Dan Winkler teaches the pistol and SB rifle marksmanship classes. Dr. Jon Wiggins coaches the trap and skeet team.

Contact

Contact: JON WIGGINS
Position: ADVISOR - TRAP & SKEET
Phone: (417) 836-8824
Fax: (417) 836-6979
Email: jwiggins@missouristate.edu
Contact: DOUG SCHENCK
Position: AROTC ENROLLMENT OFFICE
Phone: (417) 836-5791
Fax: (417) 365-5792
Email: dschenck@missouristate.edu
Contact: KEVIN D LEE
Position: PRESIDENT- TRAP & SKEET
Phone: (417) 467-4752
Email: kevin243@missouristate.edu

NORTH DAKOTA STATE COLLEGE OF SCIENCE

800 SIXTH STREET NORTH, WAHPETON, ND 58076-0002

Details

Disciplines: Shotgun, Trap

Equipment Provided: Yes
Comments: Education Only

Contact

Contact: GAYLE GRUEBELE
Position: HPER ADMIN
Phone: (701) 671-2281
Email: gayle.gruebele@ndscs.edu

NORTHWEST COLLEGE

231 WEST 6TH STREET, POWELL, WY 82435

Details

Disciplines: Shotgun, Skeet, Trap, Club Sport
Equipment Provided: Yes
Intercollegiate: Yes
Comments: Club Sports - Trap, Skeet, and Hunting Club

Contact

Contact: KEN BEEBE
Position: HEAD COACH
Phone: (307) 754-6013
Fax: (307) 754-9049
Email: beebek@northwestcollege.edu
Contact: DEE HAVIG
Position: DIRECTOR RES-CAMPUS LIFE
Phone: (307) 754-6412
Email: dee.havig@northwestcollege.edu

PINE TECH COLLEGE

1000 4TH STREET SE, PINE CITY, MN 55063

Details

Disciplines: Shotgun, Skeet, Trap, Varsity, Club Sport
Scholarship Available: Yes
Equipment Provided: Yes
Intercollegiate: Yes
Comments: Pine Technical College Shooters Association The purpose and objectives of the Shooters Association are as follows: 1. To promote shooting by fielding shotgun, rifle, and handgun teams; 2. To provide charitable donations to the gunsmithing department, school, and the community; 3. To provide scholarship assistance to qualified members in good standing in the association. Notes regarding Shooters Association Membership: Any student enrolled at Pine Technical College who pays annual membership dues and is a member in good standing with the National Rifle Association (NRA) may become a member of Pine Technical College Shooters Association for one school year; For Shooters Association membership purposes, the school year is Jan. 1 through Dec. 31. Dues must be paid by Jan. 31 or within the first four weeks of the student's starting semester; Membership is of one classification: Annual Student.

Contact

Contact: DOUG PIEPER

Position: ADVISOR - SHOOTERS ASSOC

Phone: (320) 629-5168

Email: pieperd@pinetech.edu

PURDUE UNIVERSITY

DIVISION OF RECREATIONAL SPORTS, 355 N. INTRAMURAL DRIVE WEST LAFAYETTE, IN 47907

Details

Disciplines: Air Rifle, SB Rifle, Pistol, Shotgun, Skeet, Trap, ROTC, Club Sport, Indoor Range

Equipment Provided: Yes

Intercollegiate: Yes

Comments: Rifle & Pistol Club Website: <http://web.ics.purdue.edu/~gunclub/blog/index.php> The Purdue Rifle and Pistol Club is a student-run club sport organization dedicated to promoting interest in shooting sports at Purdue. The custodians of a long and proud tradition of Purdue marksmanship, our history began in the late 1800's with the formation of the Purdue Rifles.

Membership is open to all current Purdue University students. Trap & Skeet Club

Website: <http://web.ics.purdue.edu/~putrap/> Army ROTC Website: www.purdue.edu/armyROTC Shotgun fields, two (2) trap, two (2) skeet.

Contact

Contact: KEITH ADAMS

Position: COACH - RIFLE & PISTOL

Phone: (765) 494-0740

Email: ktadams@purdue.edu

Contact: DION BATES

Position: ARMY ROTC UNIT

Phone: (765) 494-2099

Email: armyROTC@purdue.edu OR jdbates@purdue.edu

Contact: DARREN COOPER

Position: ADVISOR - RIFLE & PISTOL

Phone: (765) 494-2734

Email: dpcooper@purdue.edu

Contact: LEIF WILLEY

Position: TRAP & SKEET TEAM CONTACT

Email: lwilley@purdue.edu

SCHREINER UNIVERSITY

2100 MEMORIAL BLVD, KERRVILLE, TX 78028

Details

Disciplines: Shotgun, Skeet, Trap

Equipment Provided: Yes

Intercollegiate: Yes

Comments: The Schreiner Shooting Society Club Team serves students, faculty and staff through range safety, range etiquette, and skill improvement to newcomers in shotgun sports (trap, skeet, and sporting clays). The club/team competes on an intercollegiate level in regional, state, and national competitions. The Trap and Skeet Club currently practices at the Hill Country Shooting Sports Center in Kerrville Texas. <http://www.hillcountryshootingports.com>

Contact

Contact: BILL THOMAS

Position: COACH

Email: wbthomas@schreiner.edu

Contact: CINDY BECKER
Position: SHOOTING SPORTS ADVISOR
Phone: (830) 792-7345
Email: cabecker@schreiner.edu
Contact: DREW DOBBINS
Position: DIRECTOR OF CAMPUS REC.
Phone: (830) 792-7412
Email: ddobbins@schreiner.edu

SCHREINER UNIVERSITY

2100 MEMORIAL BLVD, KERRVILLE, TX 78028

Details

Disciplines: Shotgun, Skeet, Trap

Equipment Provided: Yes

Intercollegiate: Yes

Comments: The Schreiner Shooting Society Club Team serves students, faculty and staff through range safety, range etiquette, and skill improvement to newcomers in shotgun sports (trap, skeet, and sporting clays). The club/team competes on an intercollegiate level in regional, state, and national competitions. The Trap and Skeet Club currently practices at the Hill Country Shooting Sports Center in Kerrville Texas. <http://www.hillcountryshootingandsports.com>

Contact

Contact: BILL THOMAS
Position: COACH
Email: wbthomas@schreiner.edu
Contact: CINDY BECKER
Position: SHOOTING SPORTS ADVISOR
Phone: (830) 792-7345
Email: cabecker@schreiner.edu
Contact: DREW DOBBINS
Position: DIRECTOR OF CAMPUS REC.
Phone: (830) 792-7412
Email: ddobbins@schreiner.edu

SEATTLE UNIVERSITY

FACILITIES DEPT. / SEATTLE UNIVERSITY, 901 12TH AVENUE SEATTLE, WA 98122-1090

Details

Disciplines: Pistol, Shotgun, Trap, Club Sport, Outdoor Range

Equipment Provided: Yes

Comments: Seattle University Marksmanship Club. Education and Recreational Sports Programs. Disciplines in addition to those noted: Rim-fire Rifle, Center-fire Rifle, Rim-fire Pistol, and Center-fire Pistol.

Contact

Contact: MATTHEW HERRING
Position: MODERATOR
Email: mherring@seattleu.edu
Contact: KELVIN LUU
Position: CO-MODERATOR & COACH
Email: kelvin.luu@hotmail.com

SOUTHEASTERN ILLINOIS COLLEGE

3575 COLLEGE ROAD, HARRISBURG, IL 62946

Details

Disciplines: Shotgun, Skeet, Trap, Outdoor Range

Scholarship Available: Yes

Equipment Provided: Yes

Intercollegiate: Yes

Comments: The Southeastern team is the 2009 Third Place ACUI National Shotgun Champion. The team coach, Bruce Hering is an NSCA Level III certified instructor. Southeastern's team is a co-ed team based in the shotgun sports and has its own sporting clays course on campus. Team members currently compete in NSSA and NSCA events as well as ATA and USA Shooting as team members and individuals. This is a small rural school with a family atmosphere both in class and on the team. North Central accredited school. American and International Skeet and Trap, Sporting Clays, FITASC and Five Stand.

Contact

Contact: BRUCE HERING

Position: HEAD SHOTGUN COACH

Phone: (618) 252-5400

Fax: (618) 252-2941

Email: HUNTSCHOOL@AOL.COM

STATE UNIVERSITY OF NEW YORK-CORTLAND

OUTDOOR EDUCATION CENTER, PO BOX 99 RAQUETTE LAKE, NY 13436

Details

Disciplines: Trap

Equipment Provided: Yes

Comments: EDUCATION ONLY

Contact

Contact: JACK SHELTMIRE

Position: DIRECTOR

Phone: (315) 354-4784

Fax: (315) 354-5006

Email: jack.sheltmire@cortland.edu

TEXAS A & M UNIVERSITY-COLLEGE STATION

DEPARTMENT OF RECREATIONAL SPORTS, 202 STUDENT RECREATION CENTER COLLEGE STATION, TX 77843-4250

Details

Disciplines: Pistol, Shotgun, Skeet, Trap, ROTC, Club Sport, Indoor Range

Equipment Provided: Yes

Intercollegiate: Yes

Comments: The Pistol Club Team assists its members in improving their shooting skills and provides opportunities for team members to represent Texas A&M at local, regional, and national tournaments. Competitive events include standard pistol,

free pistol, and air pistol. The club holds try-outs early in the fall semester and then again in the spring semester. Website: <http://pistolteam.tamu.edu/> The Trap & Skeet Club Team serves students and faculty/staff by providing skill development to newcomers in safety, range etiquette and the fundamentals of trap and skeet shooting. In addition, the club provides an avenue for individuals to compete in trap and skeet shooting on an intercollegiate level, in state and national competitions and possibly the Olympics. The Trap and Skeet Club currently practices at the Boswell-Porter 4-H Range in Snook, TX Website: <http://www.aggieclays.com/> Marksmanship and weapons training through the Army ROTC program and the Military Science Department. ROTC participates in Ranger Challenge Team competitions. Scholarships are available through the ROTC. Website: <http://www.armyROTC.com/edu/txam/index.htm>

Contact

Contact: CURTIS BURNS
Position: HEAD COACH - PISTOL
Phone: (979) 846-0906
Email: cburns52@verizon.net
Contact: STEVE MUSSER
Position: HEAD COACH - TRAP&SKEET
Phone: (409) 862-4294
Fax: (409) 845-0838
Email: mmdesign@suddenlink.net
Contact: JULIA WHITE
Position: PISTOL CLUB TEAM CONTACT
Email: tamupistol@gmail.com
Contact: LAURA J KOLB
Position: TRAP SKEET CLUB CONTACT
Email: laurajkolb@gmail.com
Contact: JEFFERY MILLER
Position: ROTC ENROLLMENT OFFICER
Phone: (979) 845-2814
Email: armyROTC@corps.tamu.edu

TEXAS A & M UNIVERSITY-COLLEGE STATION

DEPARTMENT OF RECREATIONAL SPORTS, 202 STUDENT RECREATION CENTER COLLEGE STATION, TX 77843-4250

Details

Disciplines: Pistol, Shotgun, Skeet, Trap, ROTC, Club Sport, Indoor Range

Equipment Provided: Yes

Intercollegiate: Yes

Comments: The Pistol Club Team assists its members in improving their shooting skills and provides opportunities for team members to represent Texas A&M at local, regional, and national tournaments. Competitive events include standard pistol, free pistol, and air pistol. The club holds try-outs early in the fall semester and then again in the spring semester.

Website: <http://pistolteam.tamu.edu/> The Trap & Skeet Club Team serves students and faculty/staff by providing skill development to newcomers in safety, range etiquette and the fundamentals of trap and skeet shooting. In addition, the club provides an avenue for individuals to compete in trap and skeet shooting on an intercollegiate level, in state and national competitions and possibly the Olympics. The Trap and Skeet Club currently practices at the Boswell-Porter 4-H Range in Snook, TX Website: <http://www.aggieclays.com/> Marksmanship and weapons training through the Army ROTC program and the Military Science Department. ROTC participates in Ranger Challenge Team competitions. Scholarships are available through the ROTC. Website: <http://www.armyROTC.com/edu/txam/index.htm>

Contact

Contact: CURTIS BURNS
Position: HEAD COACH - PISTOL
Phone: (979) 846-0906
Email: cburns52@verizon.net

Contact: STEVE MUSSER
Position: HEAD COACH - TRAP&SKEET
Phone: (409) 862-4294
Fax: (409) 845-0838
Email: mmdesign@suddenlink.net
Contact: JULIA WHITE
Position: PISTOL CLUB TEAM CONTACT
Email: tamupistol@gmail.com
Contact: LAURA J KOLB
Position: TRAP SKEET CLUB CONTACT
Email: laurajkolb@gmail.com
Contact: JEFFERY MILLER
Position: ROTC ENROLLMENT OFFICER
Phone: (979) 845-2814
Email: armyROTC@corps.tamu.edu

TRINITY UNIVERSITY

DEPARTMENT OF ATHLETICS, ONE TRINITY PLACE SAN ANTONIO, TX 78212-7200

Details

Disciplines: Shotgun, Skeet, Trap, Club Sport
Equipment Provided: Yes
Comments: Men's and Women's Skeet and Trap Club

Contact

Contact: ROSIE PORRECA
Position: COORDINATOR-REC SPORTS
Phone: (210) 999-8283
Email: rosie.porreca@trinity.edu

UNITED STATES AIR FORCE ACADEMY

2169 FIELD HOUSE DRIVE, SUITE 408 USAF ACADEMY, CO 80840

Details

Disciplines: Air Rifle, SB Rifle, Skeet, Trap, ROTC, NCAA, Varsity, Club Sport, Outdoor Range, Indoor Range
Equipment Provided: Yes
Intercollegiate: Yes
Comments: www.gpairforcefalcons.com/sports/c-rifle

Contact

Contact: LAUNI MEILI
Position: HEAD COACH - RIFLE
Phone: (719) 333-4657
Fax: (719) 333-7680
Email: launi.meili@usafa.edu

UNITED STATES MERCHANT MARINE ACADEMY

DEPARTMENT OF ATHLETICS, 300 STEAMBOAT RD KINGS POINT, NY 11024-1699

Details

Disciplines: Air Rifle, SB Rifle, Pistol, Shotgun, Skeet, Trap, NCAA, Varsity, Indoor Range

Scholarship Available: Yes

Equipment Provided: Yes

Intercollegiate: Yes

Comments: NCAA Affiliated Member of the Mid-Atlantic Rifle Conference (MAC)

Contact

Contact: IGOR ZOLOTAREV

Position: HEAD COACH - PISTOL

Phone: (516) 773-5284

Email: ibz2@yahoo.com

Contact: SUE PETERSON LUBOW

Position: ATHLETICS DIRECTOR

Phone: (516) 773-5454

Email: lubows@usmma.edu

Contact:

Position: USMMA SHOOTING CLUB

Phone: (516) 775-3803

UNITED STATES MILITARY ACADEMY

DEPARTMENT OF ATHLETICS, BLDG 639, HOWARD ROAD WEST POINT, NY 10996

Details

Disciplines: Air Rifle, SB Rifle, Pistol, Shotgun, Skeet, Trap, NCAA, Varsity, Club Sport, Outdoor Range, Indoor Range

Equipment Provided: Yes

Intercollegiate: Yes

Comments: Member, Great America Rifle Conference Action Pistol Contact (845)938-3816 www.goarmysports.com

Contact

Contact: DUSTON SAUNDERS

Position: PISTOL TEAM CONTACT

Phone: (845) 446-1587

Fax: (845) 446-1695

Email: duston.saunders@wpaog.org

Contact: LEON ROBERT

Position: SKEET & TRAP TEAM CONTACT

Phone: (845) 938-5815

Contact: WEB WRIGHT

Position: HEAD COACH-RIFLE

Phone: (845) 938-4558

Fax: (845) 946-2556

Email: webster.wright@usma.edu

UNITED STATES NAVAL ACADEMY

USNA, HALSEY FIELD HOUSE ANNAPOLIS, MD 21402

Details

Disciplines: Air Rifle, SB Rifle, Pistol, Shotgun, Skeet, Trap, NCAA, Varsity, Club Sport, Indoor Range

Equipment Provided: Yes

Comments: NCAA-affiliated member, Mid-Atlantic Rifle Conference (MAC) Co-Ed Varsity Sport (RIFLE) and Co-Ed Club Sports (Pistol) Websites: www.navysports.com/sports/c-rifle OR www.usna.edu/pistol

Contact

Contact: MICHAEL ANTI

Position: HEAD COACH - RIFLE

Phone: (410) 293-4339

Fax: (410) 268-6814

Email: anti@usna.edu

Contact: KATHY CALLAHAN

Position: HEAD COACH - PISTOL

Phone: (410) 293-2736

Fax: (410) 293-2116

Email: kathy@usna.edu

Contact: GENE KOHLER

Position: SHOTGUN

Phone: (410) 293-3926

Fax: (410) 293-4831

Email: GMHOHLER@NADA.NAVY.MIL